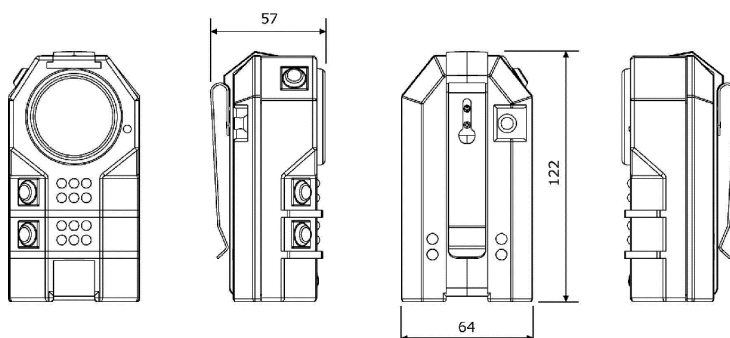




DATA SHEET ML-602 SIGNALLING HAND LAMP

MODEL	ML-602
Product description	Rechargeable signalling hand lamp
Operating temperature	-20°C.... +45°C
Light source	1 high luminous side-emitting LED, lifetime: 10 000 h 1 signalling cluster of 6 red LED's 1 signalling cluster of 6 green LED's
Light output	40,5 lm, main LED
Operating time	6 hours, main LED
Beam type	Spot beam
Lens	Tempered glass 41,5 mm x 3,2 mm
Enclosure	High impact polyamide
Colour	Yellow Other colours on request
Power source	6V rechargeable NiMH battery
Weight with battery	0,275 kg
Dimensions	Approx. 122 mm (H) x 64 mm (W) x 57 mm (L)
Charging time	1 h 45 min
Other features	Stepless dimmer Emergency function Deep discharge prevention Low battery warning Steel clip (backside) Wrist strap
Chargers	MICA MLC Single fast charger (12..24VDC)
Accessories	Colour filters: red, green and amber Diffuser filter



Made in Finland by ATEXOR Oy

19/02/2014

Tel: +358 207 343250, E-mail: info@atexor.com www.atexor.com

ATEXOR Oy prepared this information herein in good faith but makes no representation as to its comprehensiveness or accuracy. ATEXOR Oy reserves the right to make changes to specifications and product descriptions at any time without notice. Ask for more technical data from our sales support.