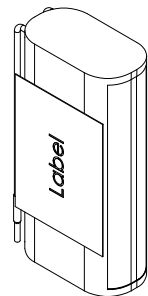
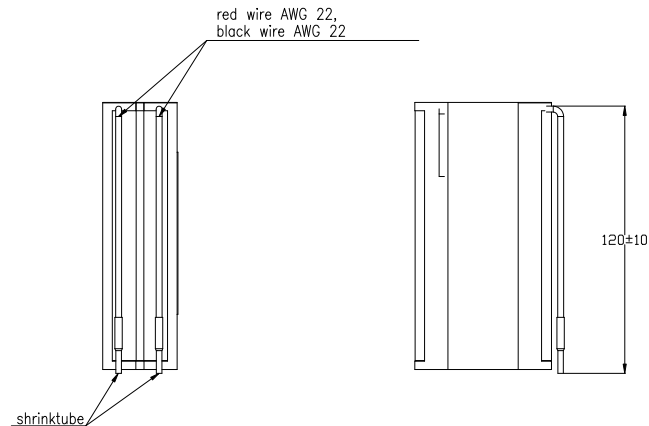
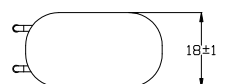
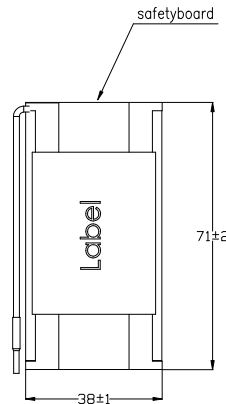
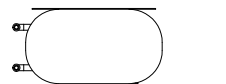
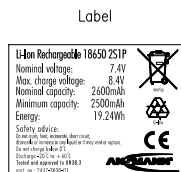


The supplier acknowledges that, with the acceptance of the drawing, he is obliged to manufacture the illustrated part in accordance with the drawing in accordance with the requirements of the customer. Any other conditions and details may not be applied to the production.

This drawing may be used, reproduced or made available in any form without written or prior written approval.

- Technische Daten/  
technical data : Akkupack/  
batterypack
- Chemie/  
chemistry : Li-Ion
- Zellenzahl/  
no. of cells : 2 Zellen/ cells 18650 SLG B4
- Kapazität/  
capacity : nom. 2600mAh discharge at 0.2C  
min. 2500mAh discharge at 0.2C  
ta:20°C; EV(Discharge End Voltage): 2.75V per cell
- Innenwiderstand/  
impedance : < 140mOhm (battery and safetyboard)
- Nominalspannung/  
nominal voltage : 7.4V
- Standard Ladespannung/  
standard charge voltage : 8.4V±1%
- Standard Entladespannung/  
standard discharge voltage : 5.5V
- Nominale Ladestrom/  
nominal charge current : 0.5C
- Maximaler Ladestrom/  
maximum charge current : 1C
- Ladeendstrom/  
charge end current : 0.01C recommended
- Maximaler Entladestrom/  
maximum discharge current : 5000mA (limited by safetyboard)
- Anwendungstemperaturbereich/  
ambient temperature range : 0°C...+45°C charge  
-20°C...+60°C discharge  
-20°C...+30°C storage max. 1 year  
-20°C...+45°C storage max. 3months
- Selbstentladung/  
self discharge : ≤ 5% / month at 20°C  
≤ 10% / month at 30°C  
≤ 20% / month at 40°C
- Standards/  
 : UN 3480, Subsection 38.3  
All cells and batterypacks type tested according to UN manual of test and criteria subsection 38.3

- Technische Daten/  
technical data : Sicherheitsschaltung/  
safety board
- Überladeschutzspannung/  
over charge voltage detection : 4.3V±25mV per cell
- Wiedereinschaltspannung/  
over charge release voltage : 4.1V±50mV per cell
- Entladeabschaltspannung/  
over discharge detection voltage : 2.4V±50mV per cell
- Wiedereinschaltspannung/  
over discharge release voltage : 3V±100mV per cell
- Nominale Lade/Entladestrom/  
nominal operating current : 5A
- Entlade Abschaltstrom/  
discharge cut off current : 13A± 3A
- Kurzschlusschutz/  
short circuit protection : gegen äußeren Kurzschluss/  
against external short circuit
- Temperaturschalter/  
temperature switch : ---
- MOSFET : in Masse  
in Gnd
- Rückstellkriterium/  
release condition : Last trennen, Aktiv nach Anladen/  
cut load, release after charging up
- Nettogewicht/  
net weight : ca./ approx. 100g
- Leiterplattenmaterial/  
pcb material : FR4
- Standards : CE



Verwendungsbereich/Application range für Anfrage/for inquiry AN-IS-2013-00422		Zul. Abweichung/ Allowable deviation	Oberfläche/ Surface	Maßstab/Scale (DIN A2): 1:1	Gewicht/Weight
		Allgemeintoleranz DIN ISO 2768-m		Werkstoff/Work material, Modell-Nr.	
		2013 Datum/Date	Name	Zeichnungsname/Drawing name	
		Zeichner/ Drawn by	23.10.	JE	Li-Ion Battery 7.4V 2600mAh with safetyboard
					Zeichnungsnummer/Drawing number
					Artikelnummer/Part number
					2447-3030-01
					Blatt/ Sheet
					1
VO	technical data corrected	24.06.15	JH		
Version	Anderung/Change	Datum/Date	Name	Ursprung/Origin Proj. IS-2013-00422	Ersatz für/Replaced by
					Ersatz durch/Replacement through

