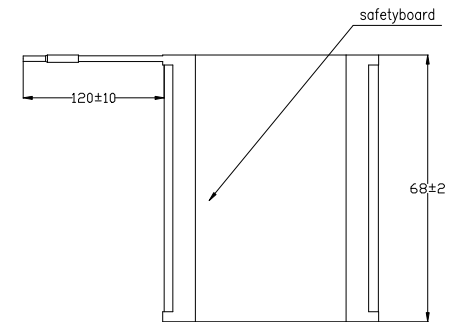
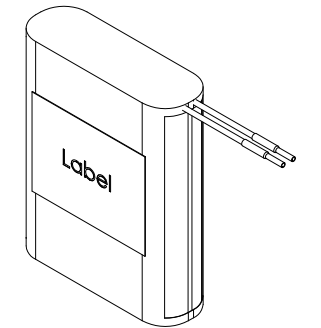
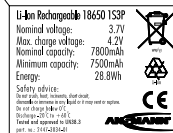
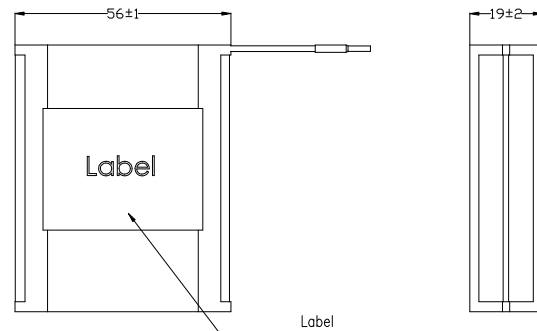
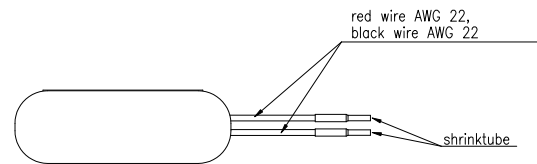


The drawing may not be copied, reproduced or made available to third parties for any use whatsoever without the prior written approval of the manufacturer.

- Technische Daten/  
technical data : Akkupack/  
battery pack
- Chemie/  
chemistry : Li-Ion
- Zellenzahl/  
no. of cells : 3 Zellen/ cells 18650 1S3P LG B4
- Kapazität/  
capacity : nom. 7800mAh discharge at 0.2C  
min. 7500mAh discharge at 0.2C
- Innenwiderstand/  
impedance : ta:20°C; EV(Discharge End Voltage): 2.75V per cell  
< 70mOhm (battery and safetyboard)
- Nominalspannung/  
nominal voltage : 3.7V
- Standard Ladespannung/  
standard charge voltage : 4.2V±1%
- Standard Entladespannung/  
standard discharge voltage : 2.75V
- Nominaler Ladestrom/  
nominal charge current : 3000mA (limited by safetyboard)
- Maximaler Ladestrom/  
maximum charge current : 3000mA (limited by safetyboard)
- Ladeendstrom/  
charge end current : 0.01C recommended
- Maximaler Entladestrom/  
maximum discharge current : 3000mA (limited by safetyboard)
- Anwendungstemperaturbereich/  
ambient temperature range : 0°C...+45°C charge  
-20°C...+60°C discharge  
-20°C...+30°C storage max. 1 year  
-20°C...+45°C storage max. 3months
- Selbstentladung/  
self discharge : ≤ 5% / month at20°C  
≤ 10% / month at30°C  
≤ 20% / month at40°C
- Standards/ : UN 3480, Subsection 38.3  
All cells and battery packs type tested according to UN manual of test and criteria subsection 38.3
- Technische Daten/  
technical data : Sicherheitsschaltung/  
safety board
- Überladeschutzspannung/  
over charge voltage detection : 4.25V±25mV per cell
- Wiedereinschaltspannung/  
over charge release voltage : 4.05V±50mV per cell
- Entladeabschaltspannung/  
over discharge detection voltage : 2.5V±62mV per cell
- Wiedereinschaltspannung/  
over discharge release voltage : 2.85V±250mV per cell
- Nominaler Lade/Entladestrom/  
nominal operating current : 3A
- Entlade Abschaltstrom/  
discharge cut off current : 8.5A± 2A
- Kurzschlusschutz/  
short circuit protection : gegen äußeren Kurzschluss/  
against external short circuit
- Temperaturschalter/  
temperature switch : ---
- MOSFET : in Masse  
in Gnd
- Rückstellkriterium/  
release condition : Last trennen, Aktiv nach Anladen/  
cut load, release after charging up
- Nettogewicht/  
net weight : 140g
- Leiterplattenmaterial/  
pcb material : FR4
- Standards : CE



battery pack covered with 2 layers of shrinktube

Verwendungsbereich/Application range für Anfrage/for inquiry AN-IS-2013-00426		Zul. Abweichung/ Allowable deviation	Oberfläche/ Surface	Maßstab/Scale (DIN A2): 1:1	Gewicht/Weight
		Atollgemeintoleranz DIN ISO 2768-m		Werkstoff/Work material, Modell-Nr.	
		2013	Datum/Date Name	Zeichnungsname/Drawing name	
		Erstellt/ Drawn by	23.10. JE	Li-Ion Battery 3.7V 7800mAh with safetyboard	
		Zeichnungsnummer/Drawing number Artikelnummer/Part number			Blatt/ Sheet
VO ---		XX.XX.XX	XX	2447-3034-01 1	
Version	Änderung/Change	Datum/Date Name	Ursprung/Origin Proj. IS-2013-00426	Ersatz für/Replaced by	Ersatz durch/Replaced through