

# Control Stations & Switches: Components for Increased Safety Enclosures

V Series: AC Ammeter



Ammeter

CONTROL STATIONS & SWITCHES

## Compliance Data:

ATEX - IEC:



Zone 1&2	ATEX	II 2 G	IEC	CE
Ex e m II				

## Operating Temperature:

-25°C to +55°C				
----------------	--	--	--	--

# Control Stations & Switches: Components for Increased Safety Enclosures

## V Series: AC Ammeter

Zone 1 & 2

Ex II 2 G

ATEX / IEC

### Applications:

- Suitable for use with certified Ex e enclosures for control equipment in industrial processes.

### Features:

- DIN rail mounted (TS35) and panel mounted versions.



Ammeter

### Ordering Information:

#### AC Ammeter 48 x 48 mm:

Connection on current transformer.  
Deflection 90°.

Red adjustable index.

Accuracy class 1.5.

Round barrel.



Description	Weight (kg)	Volume (dm <sup>3</sup> )	Catalog Number	Old Catalog Number	Pack
<b>Rail Mounted</b>					
1A C.T. 3 x F.L.C. with 0-1-3 Scale	0.1	0.4	VA1348R	098651	1
1A C.T. 5 x F.L.C. with 0-1-5 Scale	0.1	0.4	VA1548R	098952	1
1A C.T. 6 x F.L.C. with 0-1-6 Scale	0.1	0.4	VA1648R	098953	1
<b>Panel Mounted</b>					
1A C.T. 3 x F.L.C. with 0-1-3 Scale	0.1	0.4	VA1348P	098850	1
1A C.T. 5 x F.L.C. with 0-1-5 Scale	0.1	0.4	VA1548P	098856	1
1A C.T. 6 x F.L.C. with 0-1-6 Scale	0.1	0.4	VA1648P	098857	1
<b>Window for Ammeter 48 x 48</b>					
	0.1	0.4	VAW48	098852	1

### Window for Ammeter 48 x 48



0.1 0.4 VAW48 098852 1

### Interchangeable Dials for Above Ammeter:

#### 1 A Current Transformer 3 x F.L.C.

Scale	Catalog Number	Old Catalog Number
0 - 5 - 15 A	DA135	098861
0 - 10 - 30 A	DA1310	098862
0 - 15 - 45 A	DA1315	098863
0 - 20 - 60 A	DA1320	098864
0 - 30 - 90 A	DA1330	098865
0 - 40 - 120 A	DA1340	098866
0 - 50 - 150 A	DA1350	098867
0 - 60 - 180 A	DA1360	098868
0 - 75 - 225 A	DA1375	098869
0 - 100 - 300 A	DA13100	098870
0 - 125 - 375 A	DA13125	098871
0 - 150 - 450 A	DA13150	098872
0 - 200 - 600 A	DA13200	098873
0 - 250 - 750 A	DA13250	098874

#### 1 A Current Transformer 5 x F.L.C.

Scale	Catalog Number	Old Catalog Number
0 - 5 - 25 A	DA155	098875
0 - 10 - 50 A	DA1510	098876
0 - 15 - 75 A	DA1515	098877
0 - 20 - 100 A	DA1520	098878
0 - 30 - 150 A	DA1530	098879
0 - 40 - 200 A	DA1540	098880
0 - 50 - 250 A	DA1550	098881
0 - 60 - 300 A	DA1560	098882
0 - 75 - 375 A	DA1575	098883
0 - 100 - 500 A	DA15100	098884
0 - 125 - 625 A	DA15125	098885
0 - 150 - 750 A	DA15150	098886
0 - 200 - 1000 A	DA15200	098887
0 - 250 - 1250 A	DA15250	098888

#### 1 A Current Transformer 6 x F.L.C.

Scale	Catalog Number	Old Catalog Number
0 - 5 - 30 A	DA165	098889
0 - 10 - 60 A	DA1610	098890
0 - 15 - 90 A	DA1615	098891
0 - 20 - 120 A	DA1620	098892
0 - 30 - 180 A	DA1630	098893
0 - 40 - 240 A	DA1640	098894
0 - 50 - 300 A	DA1650	098895
0 - 60 - 360 A	DA1660	098896
0 - 75 - 450 A	DA1675	098897
0 - 100 - 600 A	DA16100	098898
0 - 125 - 750 A	DA16125	098899
0 - 150 - 900 A	DA16150	098900
0 - 200 - 1200 A	DA16200	098901
0 - 250 - 1500 A	DA16250	098902

#### 5 A Current Transformer 3 x F.L.C.

Scale	Catalog Number	Old Catalog Number
0 - 5 - 15 A	DA535	098903
0 - 10 - 30 A	DA5310	098904
0 - 15 - 45 A	DA5315	098905
0 - 20 - 60 A	DA5320	098906
0 - 30 - 90 A	DA5330	098907
0 - 40 - 120 A	DA5340	098908
0 - 50 - 150 A	DA5350	098909
0 - 60 - 180 A	DA5360	098910
0 - 75 - 225 A	DA5375	098911
0 - 100 - 300 A	DA53100	098912
0 - 125 - 375 A	DA53125	098913
0 - 150 - 450 A	DA53150	098914
0 - 200 - 600 A	DA53200	098915
0 - 250 - 750 A	DA53250	098916

#### 5 A Current Transformer 5 x F.L.C.

Scale	Catalog Number	Old Catalog Number
0 - 5 - 25 A	DA555	098917
0 - 10 - 50 A	DA5510	098918
0 - 15 - 75 A	DA5515	098919
0 - 20 - 100 A	DA5520	098920
0 - 30 - 150 A	DA5530	098921
0 - 40 - 200 A	DA5540	098922
0 - 50 - 250 A	DA5550	098923
0 - 60 - 300 A	DA5560	098924
0 - 75 - 375 A	DA5575	098925
0 - 100 - 500 A	DA55100	098926
0 - 125 - 625 A	DA55125	098927
0 - 150 - 750 A	DA55150	098928
0 - 200 - 1000 A	DA55200	098929
0 - 250 - 1250 A	DA55250	098930

#### 5 A Current Transformer 6 x F.L.C.

Scale	Catalog Number	Old Catalog Number
0 - 5 - 30 A	DA565	098931
0 - 10 - 60 A	DA5610	098932
0 - 15 - 90 A	DA5615	098933
0 - 20 - 120 A	DA5620	098934
0 - 30 - 180 A	DA5630	098935
0 - 40 - 240 A	DA5640	098936
0 - 50 - 300 A	DA5650	098937
0 - 60 - 360 A	DA5660	098938
0 - 75 - 450 A	DA5675	098939
0 - 100 - 600 A	DA56100	098940
0 - 125 - 750 A	DA56125	098941
0 - 150 - 900 A	DA56150	098942
0 - 200 - 1200 A	DA56200	098943
0 - 250 - 1500 A	DA56250	098944

# Control Stations & Switches: Components for Increased Safety Enclosures

## V Series: AC Ammeter

Zone 1 & 2

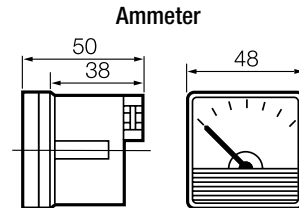
⊕ II 2 G

ATEX / IEC

### Technical Data:

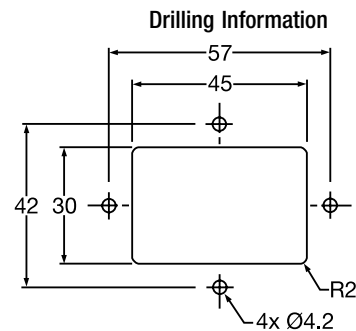
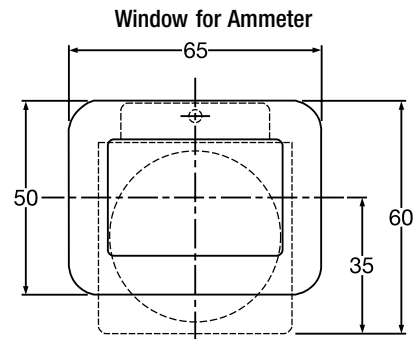
Rated Voltage	500 V
Frequency	25 to 100 Hz
Consumption	0.7 VA
Permanent overload	1.2 In
Instantaneous overload	10 In/5s
Terminal connections	M5 Terminals for lugs

### Dimensions (mm):



### Compliances:

Hazardous Area	Gas	Dust
Certification Type	C48D	
Zones	1-2	21-22
Conforming to ATEX 94/9/CE	0081⊕ II 2 G	⊕
Symbol of Protection ATEX	Ex em II	Authorized to be used with an approved dustproof Enclosure
Symbol of Protection IEC		
T Rating	NA	NA
Ambient Temperature	NA	NA
Service Temperature	-25°C to +55°C	
Declaration of Conformity	5C215	
ATEX Certificate	LCIE 02 ATEX 0006U	
IEC Certificate	LCIE Ex 02.019U	
Other Certifications	-	
Index of Protection	NA	
Impact Resistance (shock)	NA	



### Standards:

<b>Ex Standards</b>	EN / IEC 60079-0; 60079-7; EN 60079-18
<b>Product Standards</b>	EN / IEC 60951-1
<b>EMC Standards</b>	-
<b>Other Standards</b>	EN / IEC 60529 (IP); 62262 (IK)