

Control Stations & Switches: Switches, Circuit Breakers and "Break Glass" Call Points

CBD Series: Circuit Breakers – Flameproof



Ex d IIB Version



Ex d IIC Version

Compliance Data: ATEX - IEC



Zone 1 & 2, 21 & 22	ATEX	II 2 GD	IEC	CE
Ex d IIB – Ex d IIC	T5 – T3	Ex tD A21	T95°C – T195°C	IP66 – IK10

Operating Temperature

-25°C to +55°C

Control Stations & Switches: Switches, Circuit Breakers and "Break Glass" Call Points

CBD Series: Circuit Breakers – Flameproof

Zone 1 & 2 - 21 & 22

Ex II 2 GD

ATEX / IEC

IP66 - IK10

Applications:

- Circuit breakers are used in areas where hazardous materials are handled or stored.
- These units provide thermal-magnetic protection and residual current devices.
- External ground terminal: M5 for Ex d IIB version.
- Earth crossing terminal M8 for Ex d IIC version.
- 1 x M20 entry on top.
- 2 x M20 entries at bottom with one blanking plug.
- Cable glands to be ordered separately.

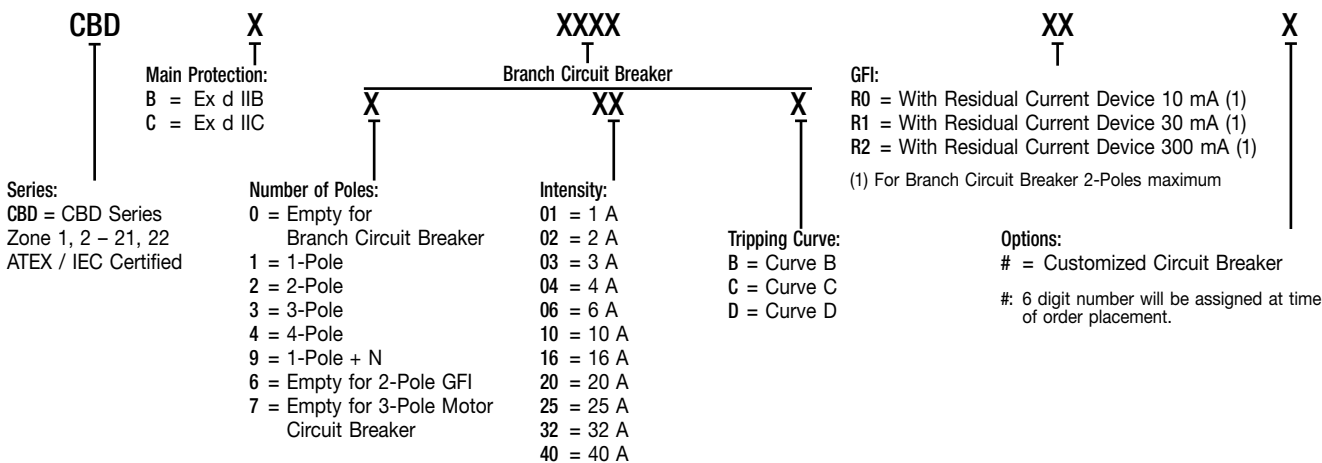
Features:

- Supplied with front rotary control switch handle.
- Padlockable in stop position (3 x dia. 5 mm)
- RCBOs supplied with test push button.
- Yellow laminated plastic legend plate with black lettering.
- Internal earth terminal 2 x 4 mm².

Standard Material of Fixtures:

- Gray painted marine grade aluminum alloy housing (RAL7038).
- Stainless steel cover bolts.

Catalog Number Logic:



Ordering Information:

Enclosure for Housing Branch Circuit Breaker up to 40 A
 Ex d IIB T3 for -25°C to +55°C Ambient Temperature:

Type	Description	Weight (Kg.)	Volume (dm ³)	Catalog Number
CF2D	For 40 A maximum 2-pole, 3-pole and 4-pole Branch Circuit Breaker (S200 from ABB) not supplied	4	14	CBDB0
CF2D	For 40 A maximum 2-pole, GFI Branch Circuit Breaker (S200 from ABB) not supplied	4	14	CBDB6
Options: enclosure fitted with GFI Branch Circuit Breaker available as per catalog number logic.				
CF2D	For 32 A maximum 3-pole motor circuit breaker (GV2-P or GV2-L from Schneider Electric) not supplied	4	14	CBDB7

Enclosure for Housing MCB up to 40 A

Ex d IIC T5 for -25°C to +55°C Ambient Temperature:

Type	Description	Weight (Kg.)	Volume (dm ³)	Catalog Number
CF1C	For 40 A maximum 2-pole, 3-pole and 4-pole Branch Circuit Breaker (S200 from ABB) not supplied	4	14	CBDC0
CF1C	For 40 A maximum 2-pole, GFI (S200 from ABB) not supplied	4	14	CBDC6
Options: enclosure fitted with GFI Branch Circuit Breaker available as per catalog number logic.				
CF1C	For 32 A maximum 3-pole motor circuit breaker (GV2-P or GV2-L from Schneider Electric) not supplied	4	14	CBDC7

Control Stations & Switches: Switches, Circuit Breakers and "Break Glass" Call Points

CBD Series: Circuit Breakers – Flameproof

Zone 1 & 2 - 21 & 22

⊕ II 2 GD

ATEX / IEC

IP66 - IK10

Compliances:

Hazardous Area	Gas	Dust
Certified Type	CF2D	
Zones	1–2	21–22
Conforming to ATEX 94/9/CE	CE 0081 ⊕ II 2 G	CE 0081 ⊕ II 2 D
Symbol of Protection ATEX	Ex d IIB	Ex tD A21
Symbol of Protection IEC		
T Rating	T3	–
Surface Temperature	–	T195°C
Ambient Temperature	–40°C to +55°C	
CE Declaration of Conformity	50254	
ATEX Certificate	LCIE 03 ATEX 6061X	
IEC Certificate	LCIE Ex 03.006X	
Other Certifications	GOST	
Index of Protection (solid and liquid)	IP66	
Impact Resistance (shock)	IK10	
Internal Volume	≤ 2 dm ³ (2 liters)	

Hazardous Area	Gas	Dust
Certified Type	CF1C	
Zones	1–2	21–22
Conforming to ATEX 94/9/CE	CE 0081 ⊕ II 2 G	CE 0081 ⊕ II 2 D
Symbol of Protection ATEX	Ex d IIC	Ex tD A21
Symbol of Protection IEC		
T Rating	T5	–
Surface Temperature	–	T95°C
Ambient Temperature	–40°C to +55°C	
CE Declaration of Conformity	50257	
ATEX Certificate	LCIE 03 ATEX 6044X	
IEC Certificate	LCIE Ex 03.003X	
Other Certifications	GOST	
Index of Protection (solid and liquid)	IP66	
Impact Resistance (shock)	IK10	
Internal Volume	≤ 2 dm ³ (2 liters)	

Standards:

Ex standards	EN / IEC 60079-0; 60079-1; 61241-0; 61241-1
Product standards	–
EMC standards	–
Other standards	EN / IEC 60529 (IP); 62262 (IK)

Dimensions (mm):

