

Lighting: Incandescent & HID Lighting

PN Series: Floodlights – Zone 2, 21 & 22



L Size



M Size

Compliance Data:

ATEX - IEC



Zone 2, 21 & 22	II 2 D - II 3 GD	ATEX	IEC	CE
Ex nR II - Ex tD A21	T4 or T3 or T2	IP66	IK08	Ex tD A21

Lamp Types & Watts:

High Pressure Sodium	Metal Halide	Mercury Vapor		
70 W to 1000 W	150 W to 1000 W	250 W to 400 W		

Operating Temperatures:

-40°C to + 55°C (Up to 400 W Zone 2 - 22)	-40°C to +50°C (1000 W Zone 2 - 22)	-20°C to + 40°C (Up to 400 W for Zone 21)	
--	--	--	--

Lighting: Incandescent & HID Lighting

PN Series: Floodlights – Zone 2, 21 & 22

Zone 2, 21 & 22

II 2 D - II 3 GD

ATEX / IECEx

IP66 - IK07/08

Applications:

- Powerful, efficient floodlights for large areas such as industrial complexes, ship loading areas rated for in hazardous areas.

Features:

- Highly efficient, integrally ballasted floodlight. Has compact, lightweight, yet rugged die-cast aluminum construction; simple installation and maintenance.
- Integral ballast 230/240 V, 50 Hz
- Lens: thermal-shock and impact resistance glass
- Socket: E40 (E27 for 70 W HPS version), porcelain
- Reflectors: double segment compound parabolic with Alzack® finish for maximum efficiency.
- Mounting: yoke mount – zinc plated steel yoke with architectural bronze polyester finish.

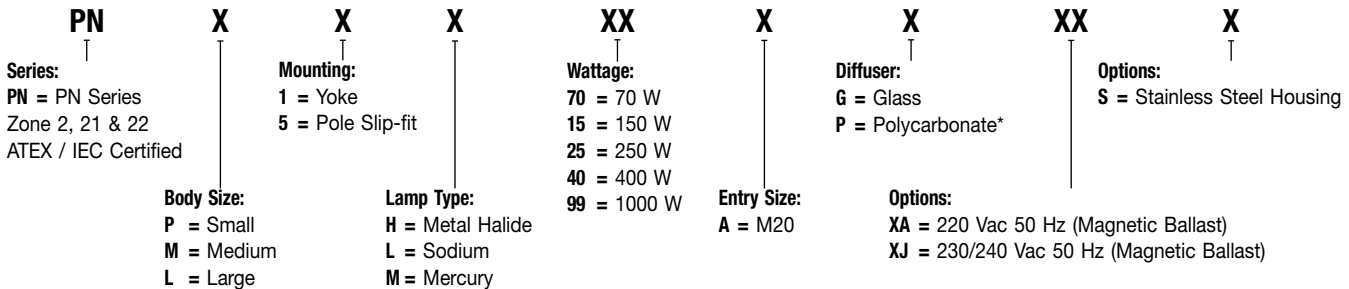
Standard Material of Fixtures:

- Housing: pressure-cast copper free aluminum with architectural bronze polyester finish.
- Lens door: pressure cast copper free aluminum, secured with captive stainless steel screws. Has architectural bronze polyester finish.
- Gasket: heavy duty, high temperature, long life silicone rubber, firmly seated.

Standard Material of Accessories:

- Gasket: heavy duty, high temperature, long life silicone rubber, firmly seated.

Catalog Number Logic:



*Zone 2-22 doesn't exist with polycarbonate diffuser.
400 W Zones 21-22 and 1000 W Zones 2-22 only with large body (suffix G).

Ordering Information:

Standard with Lamp Glass Sealed on Frame:

Type	Weight (kg)	Volume (dm ³)	Permissible lamps (not supplied)	Body Size	Catalog Number	Old Catalog Number	Pack
70 W HP Sodium	12.1	62.5	Ovoid/Tubular	Medium	PNM1L70AGXJ	095033	1
150 W HP Sodium	12.9	62.5	Ovoid/Tubular	Medium	PNM1L15AGXJ	095036	1
250 W HP Sodium	14.3	62.5	Ovoid/Tubular	Medium	PNM1L25AGXJ	095042	1
400 W HP Sodium	16	62.5	Ovoid/Tubular	Medium	PNM1L40AGXJ	095043	1
400 W HP Sodium	–	–	Ovoid/Tubular	Large	PNL1L40AGXJ	095287	1
150 W Metal Halide	12.9	62.5	Ovoid/Tubular	Medium	PNM1H15AGXJ	095037	1
250 W Metal Halide	14.3	62.5	Ovoid/Tubular	Medium	PNM1H25AGXJ	095046	1
400 W Metal Halide	16	62.5	Tubular	Medium	PNM1H40AGXJ	095047	1
400 W Metal Halide	–	–	Ovoid/Tubular	Large	PNL1H40AGXJ	095288	1
250 W Mercury Vapor	12.9	62.5	Ovoid	Medium	PNM1M25AGXJ	095044	1
400 W Mercury Vapor	13.8	62.5	Ovoid/Tubular	Medium	PNM1M40AGXJ	095045	1

With External Polycarbonate Weatherproof Protection

Type	Weight (kg)	Volume (dm ³)	Permissible lamps (not supplied)	Body Size	Catalog Number	Old Catalog Number	Pack
70 W HP Sodium	13.2	62.5	Ovoid/Tubular	Medium	PNM1L70APXJ	095088	1
150 W HP Sodium	14	62.5	Ovoid/Tubular	Medium	PNM1L15APXJ	095097	1
250 W HP Sodium	15.4	62.5	Ovoid/Tubular	Medium	PNM1L25APXJ	095098	1
400 W HP Sodium	–	–	Ovoid/Tubular	Large	PNL1L40APXJ	095291	1
150 W Metal Halide	14	62.5	Ovoid/Tubular	Medium	PNM1H15APXJ	095094	1
250 W Metal Halide	15.4	62.5	Ovoid/Tubular	Medium	PNM1H25APXJ	095096	1
400 W Metal Halide	–	–	Ovoid/Tubular	Large	PNL1H40APXJ	095292	1
250 W Mercury Vapor	14	62.5	Ovoid	Medium	PNM1M25APXJ	095095	1

Lighting: Incandescent & HID Lighting

PN Series: Floodlights – Zone 2, 21 & 22



Zone 2, 21 & 22

Ex II 2 D - Ex II 3 GD

ATEX / IECEx

IP66 - IK07/08

Accessories

	Description	Catalog Number	Old Catalog Number	Pack
	Fall Prevention Kit (1.20 m stainless steel chain) for M20 cable entry	FESCM20	096406	1
	Slipfitter Adapter Size fits medium body	GSF20	-	1
GSF-20	Size fits large body	GAM8SF	-	1
GAM-8-SF				

Compliances: Size M

Hazardous Area	Gas	Dust	Dust
Certification Type	PJn		
Zones	2	22	21
Conforming to ATEX 94/9/CE	CE Ex 3 G	CE Ex II 3 D	CE Ex I 2 D
Symbol of Protection ATEX	Ex nR II	Ex tD A22	Ex tD A21
Symbol of Protection IEC			
T Rating	T2 to T4	NA	NA
Surface Temperature	NA	T117°C to T228°C	T65°C to T136°C
Ambient Temperature	-40°C to +55°C		-20°C to 40°C
CE Declaration of Conformity	50215		50251
ATEX Certificate	LCIE 08 ATEX 6035X		LCIE 02 ATEX 6246X
IECEx Certificate	IECEx LCI 04.0015		NA
Other Certifications	GOST		NA
Index of Protection (solid and liquid)	IP66		
Impact Resistance (shock)	IK07		IK07 with glass diffuser IK08 with polycarbonate diffuser

Compliances: Size G

Hazardous Area	Gas	Dust	Dust
Certification Type	PJn		
Zones	2	22	21
Conforming to ATEX 94/9/CE	CE Ex II 3 G	CE Ex II 3 D	CE 008 Ex II 2 D
Symbol of Protection ATEX	Ex nR II	Ex tD A22	Ex tD A21
Symbol of Protection IEC			
T Rating	T3	NA	NA
Surface Temperature	NA	T187°C to T192°C	T121°C to T182°C
Ambient Temperature	-40°C to +50°C		-20°C to +40°C
CE Declaration of Conformity	50215		50274
ATEX Certificate	LCIE 08 ATEX 6035X		LCIE 02 ATEX 6246X
IECEx Certificate	IECEx LCI 04.0015		NA
Other Certifications	GOST		NA
Index of Protection (solid and liquid)	IP66		
Impact Resistance (shock)	IK07		IK07 with glass diffuser IK08 with polycarbonate diffuser

Lighting: Incandescent & HID Lighting

PN Series: Floodlights – Zone 2, 21 & 22

Zone 2, 21 & 22

II 2 D - II 3 GD

ATEX / IECEx

IP66 - IK07/08

LIGHTING

TABLE N°1 – Zone 21 (Dust)

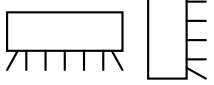
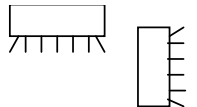
	Operating Position	Dust Surface Temperatures for Ta = +40°C		Time Before Opening
				
	Lamp and Power	Glass Diffuser	Polycarbonate Diffuser	
Body Size: M	70 W Sodium	75°C	65°C	50 mm
	150 W Sodium	101°C	91°C	25 mm
	250 W Sodium	127°C	117°C	15 mm
	250 W Metal Halide	123°C	113°C	15 mm
	250 W Mercury	136°C	131°C	15 mm
Body Size: L	400 W Sodium	126°C	121°C	30 mm
	1000 W Sodium	177°C	-	30 mm
	1000 W Metal Halide	182°C	-	30 mm

TABLE N°2 – Zone 2 (Gas)

	Lamp and Power	T Rating for Ta = +40°C	T Rating for Ta = +50°C	T Rating for Ta = +55°C
Body Size: M	70 W Sodium	T4	T4	T4
	150 W Sodium	T4	T4	T4
	150 W Metal Halide	T4	T4	T4
	250 W Sodium	T3	T3	T3 (Cable T° = 82°C)
	250 W Metal Halide	T3	T3	T3
	250 W Mercury	T3	T3	T3 (Cable T° = 81°C)
	400 W Sodium	T3	T3 (Cable T° = 87°C)	T2 (Cable T° = 92°C)
	400 W Metal Halide	T2	T2 (Cable T° = 84°C)	T2 (Cable T° = 89°C)
	400 W Mercury	T2	T2 (Cable T° = 84°C)	T2 (Cable T° = 89°C)
Body Size: L	1000 W Sodium	T3	T3	-
	1000 W Metal Halide	T3	T3	-

TABLE N°3 – Zone 22 (Dust)

	Lamp and Power	T Rating for Ta = +40°C	T Rating for Ta = +50°C	T Rating for Ta = +55°C
Body Size: M	70 W Sodium	117°C	-	-
	150 W Sodium	130°C	-	-
	150 W Iodure	128°C	-	-
	250 W Sodium	160°C	-	Cable T° = 82°C
	250 W Iodure	175°C	-	-
	250 W Mercury	181°C	-	Cable T° = 81°C
	400 W Sodium	198°C	Cable T° = 87°C	Cable T° = 92°C
	400 W Iodure	228°C	Cable T° = 84°C	Cable T° = 89°C
	400 W Mercury	227°C	Cable T° = 84°C	Cable T° = 89°C
Body Size: L	1000 W Sodium	187°C (for Ta = +50°C)	Cable T° = 90°C	-
	1000 W Iodure	192°C (for Ta = +50°C)	Cable T° = 90°C	-

Lighting: Incandescent & HID Lighting

PN Series: Floodlights – Zone 2, 21 & 22

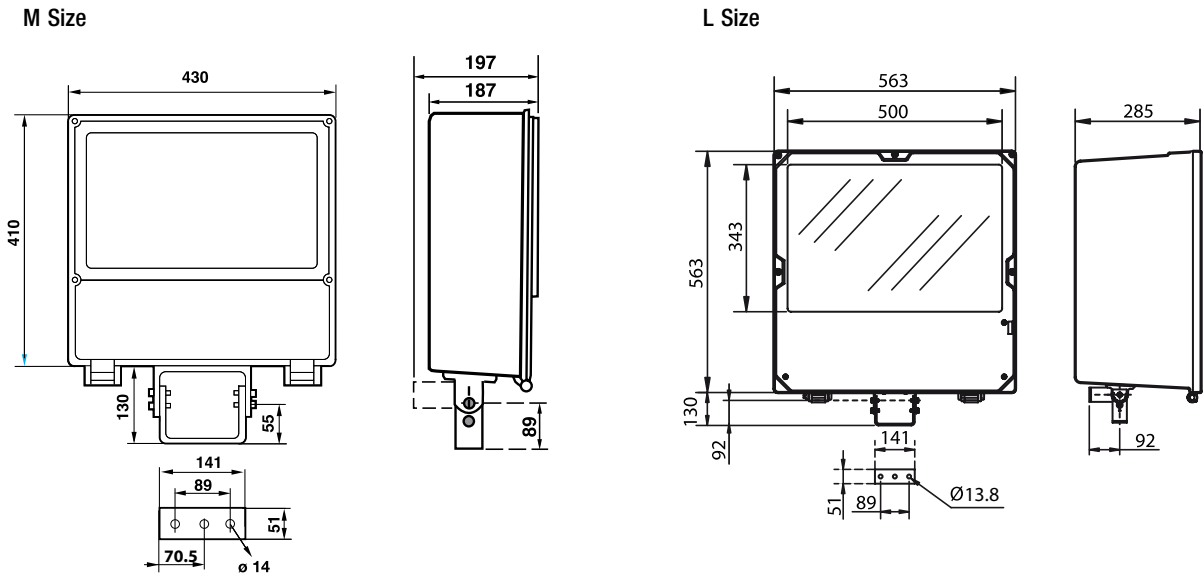
Zone 2, 21 & 22

Ex II 2 D - Ex II 3 GD

ATEX / IECEx

IP66 - IK07/08

Dimensions (mm)



Standards

Ex Standards	EN / IEC 60079-0 ; 60079-15 ; 61241-0; 61241-1
Product Standards	EN / IEC 60598-1
EMC Standards	EN / IEC 55015; 61547
Other Standards	EN / IEC 60529 (IP)

Photometric Data:

Polar curves for a 1000 lm flux, according to NF C 71-120

Luminaire symbol according to NF C 71-121

--- Longitudinal
 — Transverse

70 W HP Sodium Efficiency 74.6%

