

Lighting: Incandescent & HID Lighting
LDM Series: HID Wellglass Luminaires – Flameproof



LDM Version



LDM Version with Guard

Compliance Data:

ATEX - IECEx:



Zone 1 & 2, 21 & 22	ATEX	II 2 GD	IECEx	CE
Ex de IIC	T6 to T3	Ex tD A21	T80°C to T195°C	IP66/67 – IK08

Lamp Type and Watts:

HP Sodium	Mercury	Halogen	Mixed	Incandescent	Compact Fluo.
70 W	80 W to 125 W	150 W	160 W	Up to 200 W	18 W

Operating Temperature:

-40°C to +55°C

Lighting: Incandescent & HID Lighting

LDM Series: HID Wellglass Luminaires – Flameproof

Zone 1 & 2 - 21 & 22

Ex II 2 GD

ATEX / IEC

IP66/67 - IK08

Applications:

- For use in hazardous locations such as plants where plastics, paints, thinners and petrochemicals are manufactured.
- Ideal for street lighting on refinery sites or oil depots and for tank lighting purposes.

Features:

- E27 lamp holder.
- High temperature internal wiring.
- Threaded flame path.
- Stainless steel fastenings.
- Closed by screwing on bezel.
- Operates in any position.
- Easy and efficient wiring due to separate Ex e terminal box with wiring onto two captive terminals capacity 2 x 6 mm².
- External earth terminal capacity 4 mm².

- 2 x 20 mm clearance holes through-wire cable entries supplied with one Ex e unarmored cable gland (sealing dia. 6.5 to 14.5 mm) and one blanking plug and two M20 locknuts.

Standard Material of Fixtures:

- Gray painted marine grade aluminum alloy body and bezel.
- Internal aluminum reflector.



LDM Version



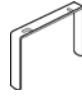
Ordering Information:



Flameproof Wellglass Luminaires for Hazardous Areas – Ex de IIC – LDM Series

Lamp Wattages	Voltage (+/- 10%)	Lamp Type		Weight (kg)	Volume (dm ³)	Catalog Number	Old Catalog Number
		Ellipsoidal	Tubular				
High Pressure Sodium							
70 W (1) for lamp with built-in ignitor	230/240 Vac 50 Hz	X	X	9	30	LDML70AG1XJ	095013
150 W (1)	230/240 Vac 50 Hz	X	X	9	30	LDML15AG1XJ	–
Mercury Vapor							
80 W (1)	230/240 Vac 50 Hz	–	–	9	30	LDMM80AG1XJ	095001
125 W (1)	230/240 Vac 50 Hz	–	–	9	30	LDMM12AG1XJ	095005
Compact Fluorescent							
18 W		–	–	7.5	30	LDMF18AG1	095000
Incandescent							
200 W max. 150 W halogen or 160 W mixed lamps can be used		–	–	7.5	30	LDMI20AG1	095003

Note: Wellglass luminaires supplied with 1 x M20 Ex e cable gland (dia. 6.5 to 14.5 mm) and 1 x M20 blanking plug. Lamps are not supplied.
(1) Ballast supplied.

Accessories:

Description	Weight (kg)	Volume (dm ³)	Catalog Number	Old Catalog Number	Pack
 Protective Guard Zinc plated steel protective guard	0.4	9	LDMHBZ	095079	1
 External Reflector External white polyester reflector	3.2	97	LDER1P	094769	1
 Hinged Bracket Zinc plated steel hinged bracket for installation on flat surface	3.4	3	LDPHBZ	094776	1

Description	Weight (kg)	Volume (dm ³)	Catalog Number	Old Catalog Number	Pack
 Eyebolt Zinc plated steel M10 eyebolt for suspension	0.1	0.2	LDRBM10Z	095081	1
 Mounting Strap Gray painted aluminum	0.9	0.6	LDSBA	095082	1

Lighting: Incandescent & HID Lighting

LDM Series: HID Wellglass Luminaires – Flameproof

Zone 1 & 2 - 21 & 22

⊕ II 2 GD

ATEX / IECEx

IP66/67 - IK08

Compliances:

Hazardous Area	Gas	Dust
Certified Type	LTd (model LT1d)	
Zones	1 – 2	21 – 22
Conforming to ATEX 94/9/CE	CE 0081⊕ II 2 G	CE 0081⊕ II 2 D
Symbol of Protection ATEX	Ex de IIC	Ex tD A21
Symbol of Protection IEC		
T rating	See table 1	–
Surface Temperature	–	See table 2
Ambient Temperature	-40°C to +55°C	
CE Declaration of Conformity	50246	
ATEX Certificate	LCIE 02 ATEX 6165	
IECEx Certificate	IECEx LCI Ex 04.0019	
Other Certifications	GOST	
Index of Protection (solid & liquid)	IP66/67	
Impact Resistance (shock)	IK08	

Table 1: T Rating for Gas

Power and Source	Ambient Temperature					
	Lighting Downwards			Lighting Upwards		
	Ta = +40°C	Ta = +50°C	Ta = +55°C	Ta = +40°C	Ta = +50°C	Ta = +55°C
18 W Compact Fluor.	T6	T6	T6	T6	T5	T5
150 W Halogen	T4	T4	T4	T4	T3	T3
70 W HP Sodium	T5	T4	T4	T4	T4	T4
80 W Mercury	T4	T4	T4	T4	T4	T4
125 W Mercury	T3	T3	T3	T3	T3	T3
160 W Mixed	T3	T3	T3	T3	T3	T3
100 W Incandescent	T4	T3	T3	T3	T3	T3
200 W Incandescent	T4	T3	T3	T3	T3	T3

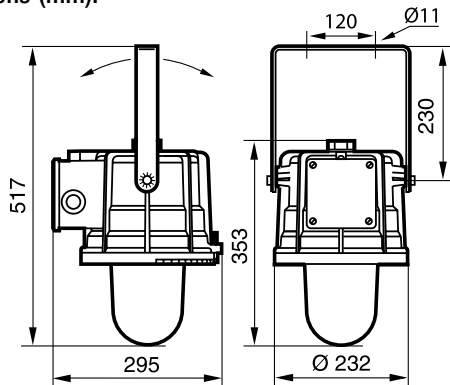
Table 2: Surface Temperature for Dust

Power and Source	Ambient Temperature	
	Ta = +55°C	
	Lighting Downwards	Lighting Upwards
18 W Compact Fluorescent	80°C	95°C
150 W Halogen	130°C	195°C
70 W HP Sodium	130°C	130°C
80 W Mercury	130°C	130°C
125 W Mercury	195°C	195°C
160 W Mixed	195°C	195°C
100 W Incandescent	195°C	195°C
200 W Incandescent	195°C	195°C

Standards:

EX Standards	EN / IEC 60079-0; 60079-1; 60079-7; 61241-0; 61241-1
Product Standards	EN / IEC 60598-1
EMC Standards	EN / IEC 55015; 61547
Other Standards	EN / IEC 60529 (IP); 62262 (IK)

Dimensions (mm):



LDM Version with Hinged Bracket

Photometric Data:

Polar curves for a 1000 lm flux, according to NF C 71-120
Luminaire symbol according to NF C 71-121

