

FU40 Series Fuse Carrier

Components for Increased Safety Enclosures

Zone 1 and 2
Gas (G)

Applications

- Useful as back-up fuse protection or as main fuse protection for hazardous locations.
- Shall be used in an increased safety Ex e or in a flameproof Exd enclosure.

Features

- For 14 mm x 51 mm cylindrical cartridge fuse 40A max (classes gG and aM).
- Un: 690V max.
- Adaptor which clips onto EN 50 022 and EN 50 035 rail.
- Connection capacities from 2.5 mm² to 16 mm² for rigid or flexible cables.

Standard Material

- Polyamide

Certifications and Compliances

◆ ATEX/IECEX Certification

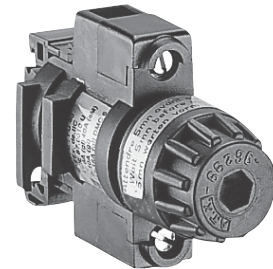
• Certification Type FU40

- Gas, Zones 1 and 2
- Conforming to ATEX 94/9/CE: Ⓢ II 2 G
- Type of Protection: Ex db eb IIC or Ex d e IIC Gb
- Service Temperature: -40 °C to +80 °C
- CE Declaration of Conformity: 5C258
- ATEX Certificate: LCIE 15 ATEX 3014U
- IECEX Certificate: IECEX LCIE 15.0007U

◆ Others Certification ①

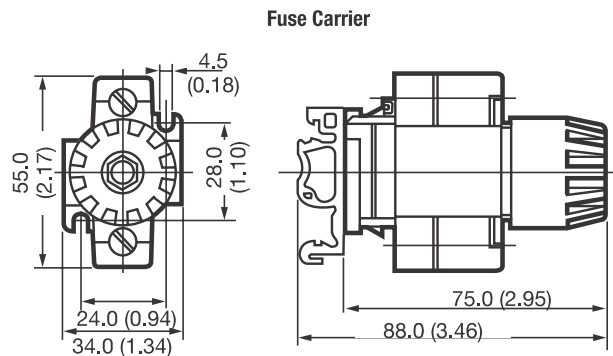
• Certification Type FU40

- INMETRO Certificate: BVC 11.0593-U



Weight kg	Volume dm ³	Fuse Size mm	In max.	Un max.	Catalog Number
0.1	0.4	14 x 51	40A	690V	FU40

Dimensions in Millimeters



① Inmetro certification available on special request only. Contact your local sales for more information.

Shaded catalog numbers are normally stocked items. All other items are made to order.