

# FAS Series “Break Glass” Call Points

## Increased Safety and Flameproof

Zone 1 and 2 – 21 and 22  
Gas (G) and Dust (D)

### Applications

- Located on exit routes, in particular on the floor landings of staircases and at all exits to the open air.
- For use in hazardous areas where ignitable vapors, gases or highly combustible dusts are present.
- For installation in chemical and petrochemical plants, refineries and other process industries.

### Features

- Type PCe (increased safety version):
  - Hammer and stainless steel chain.
  - NO+NC contacts with 2.5 mm<sup>2</sup> terminals.
  - Earth termination: 2 x 4 mm<sup>2</sup> – internal and external.
  - 2 x M20 bottom entries supplied with polyamide cable gland – 6.5 to 14.5 mm diameter and polyamide blanking plug.
- Type BR1d (flameproof version):
  - Hammer and stainless steel chain.
  - NO+NC contacts with 2.5 mm<sup>2</sup> terminals.
  - Earth termination: 2 x 4 mm<sup>2</sup> – internal and external.
  - 2 x M20 entries (1 top and 1 bottom) supplied with one aluminum blanking plug.

### Standard Materials

- Type PCe
  - Box: red painted aluminum alloy
  - Cover: red painted steel
  - Chain: stainless steel
- Type BR1d
  - Box: painted marine grade aluminum alloy (gray painted body and red painted cover)
  - Chain: stainless steel

### Options

- Special options available - consult factory for details.

### Certifications and Compliances

#### ◆ ATEX Certification

- **Certification Type: PCe**
  - Gas: Zone 1 and 2
    - Conforming to ATEX 94/9/CE: Ⓜ II 2 G
    - Type of Protection: Ex de IIC
    - Temperature class: T6
  - Dust: Zone 21 and 22
    - Conforming to ATEX 94/9/CE: Ⓜ II 2 D
    - Type of Protection: Ex td A21
    - Surface Temperature: T80 °C
  - Ambient Temperature: -55 °C to +60 °C
  - CE Declaration of Conformity: 50221
  - ATEX Certificate: LCIE 00 ATEX 6047
  - Index of Protection according EN/IEC 60529: IP66



Ex de IIC Version  
(PCe Type)

Ex d IIC Version  
(BR1d Type)

#### ◆ Certification Type: BR1d

- Gas: Zone 1 and 2
  - Conforming to ATEX 94/9/CE: Ⓜ II 2 G
  - Type of Protection: Ex d IIC
  - Temperature class: T6 for Ta = +40 °C; T5 for Ta = +55 °C
- Dust: Zone 21 and 22
  - Conforming to ATEX 94/9/CE: Ⓜ II 2 D
  - Type of Protection: Ex td A21
  - Surface Temperature: T95 °C
- Ambient Temperature: -40 °C to +55 °C
- CE Declaration of Conformity: 50230
- ATEX Certificate: LCIE 02 ATEX 605
- Index of Protection according EN/IEC 60529: IP66

#### ◆ Others Certification ①

- **Certification Type: PCe**
  - EURASEC RU C-FR.ГБ 05.B.00911
- **Certification Type: BR1d**
  - EURASEC RU C-FR.ГБ 05.B.00911

① Inmetro certification available on special request only. Contact your local sales for more information.

# FAS Series "Break Glass" Call Points

## Increased Safety and Flameproof

Zone 1 and 2 - 21 and 22  
Gas (G) and Dust (D)

### Catalog Numbering Guide

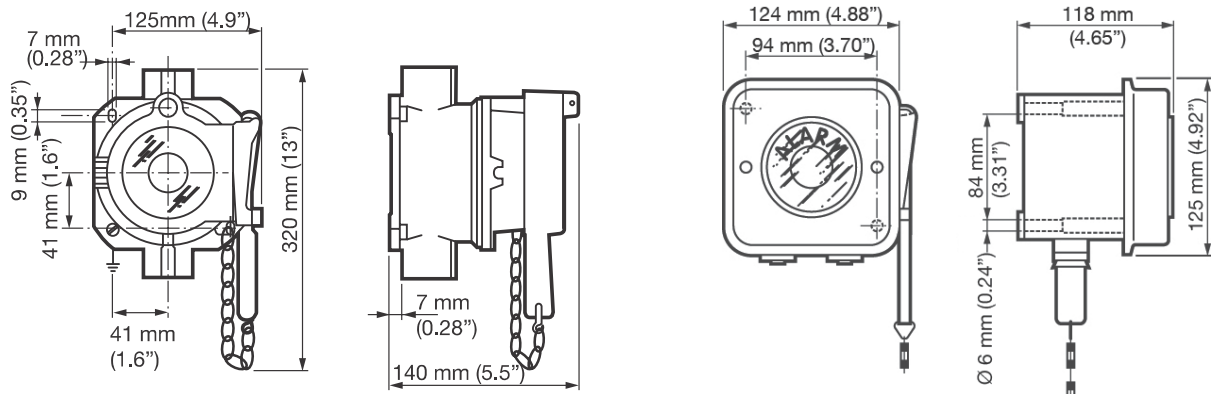
**FAS**  
|  
Series:  
FAS  
Zone 1 and 2 - 21 and 22  
ATEX Certified

**D**  
|  
D - Ex d  
E - Ex e

**A**  
|  
A - Automatic  
M - Manual

Description	Weight kg	Volume dm <sup>3</sup>	Catalog Number	Pack
<b>Increased Safety Ex de IIC Version - Type PCe:</b>				
Manual breaking of the circuit after breaking the glass. Momentary NO+NC contacts	1.2	5	<b>FASEM</b>	1
Automatic breaking of the circuit as soon as glass is broken. Momentary NO+NC contacts	1.2	5	<b>FASEA</b>	1
<b>Flameproof Ex d IIC Version - Type BR1d:</b>				
Automatic breaking of the circuit as soon as glass is broken. Momentary NO+NC contacts	1.2	3.8	<b>FASDA</b> ①	1

### Dimensions in Millimeters



① Please check your cable entry as FASDA is M20 and not M25 as the old catalog number 093818.

Shaded catalog numbers are normally stocked items. All other items are made to order.