

# DM Series Motor Starters

## Flameproof

Zone 1 and 2 – 21 and 22  
Gas (G) and Dust (D)

### Applications

- DM Series motor starters are used in areas where hazardous materials are handled or stored.
- These units provide disconnecting means and thermal overload protection.

### Features

- Three pole contactor.
- Thermal overload relay with stop/reset push button.
- Start push button.
- Rated voltage 400/415 Vac, 50/60 Hz AC-3 category.
- Yellow laminated plastic legend plate with black lettering.
- Internal earth terminal: 2 x 4 mm<sup>2</sup>.
- External ground terminal: M5 for Ex d IIB version.
- Earth crossing terminal: M8 for Ex d IIC version.
- 1 x M20 entry on top.
- 2 x M20 entries at bottom with one blanking plug.

### Standard Materials

- Housing: gray painted marine grade aluminum alloy (RAL7038).
- Cover bolts: stainless steel

### Certifications and Compliances

#### ◆ ATEX Certification

- **Certification Type CF2D**
  - Gas: Zone 1 and 2,
    - Conforming to ATEX 94/9/CE: Ⓢ II 2 G
    - Type of Protection: Ex d IIB
    - Temperature class: T4 (ta +40 °C) or T3 (ta +55 °C)
  - Dust: Zone 21 and 22
    - Conforming to ATEX 94/9/CE: Ⓢ II 2 D
    - Type of Protection: Ex tD A21
    - Surface Temperature: T195 °C
  - Ambient Temperature: -20 °C to +55 °C
  - CE Declaration of Conformity: 50254
  - ATEX Certificate: LCIE 03 ATEX 6061X
  - Index of Protection according EN/IEC 60529: IP66
  - Impact Resistance (shock): IK10
  - Internal Volume: > 2 dm<sup>3</sup> (2 liters)
- **Certification Type CF1B**
  - Gas: Zone 1 and 2,
    - Conforming to ATEX 94/9/CE: Ⓢ II 2 G
    - Type of Protection: Ex d IIC
    - Temperature class: T4 (ta +40 °C) or T3 (ta +55 °C)
  - Dust: Zone 21 and 22
    - Conforming to ATEX 94/9/CE: Ⓢ II 2 D
    - Type of Protection: Ex tD A21
    - Surface Temperature: T195 °C
  - Ambient Temperature: -20 °C to +55 °C
  - CE Declaration of Conformity: 50257
  - ATEX Certificate: LCIE 03 ATEX 6044X
  - Index of Protection according EN/IEC 60529: IP66
  - Impact Resistance (shock): IK10
  - Internal Volume: > 2 dm<sup>3</sup> (2 liters)



Ex d IIB Version – Type CF2D



Ex d IIC Version – Type CF1B

#### ◆ EURASEC Certification

- **Certification Type CF2D**
  - EURASEC RU C-FR. ГБ 05.B.0091
- **Certification Type CF1B**
  - EURASEC RU C-FR. ГБ 05.B.00911

#### Related Products

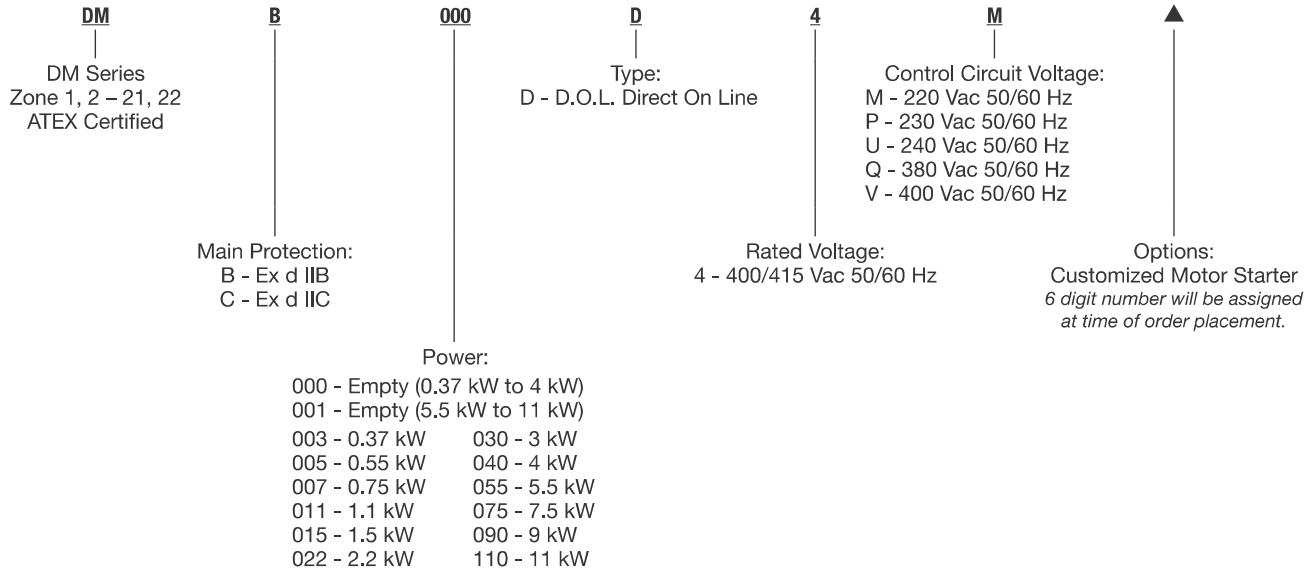
- Cable glands must be ordered separately. See *Fittings Section*.

# DM Series Motor Starters

## Flameproof

Zone 1 and 2 – 21 and 22  
Gas (G) and Dust (D)

### Catalog Numbering Guide



Type	Protection	Description	Weight kg	Volume dm <sup>3</sup>	Catalog Number
<b>Enclosure for Housing Contactor with Overload Relay up to 11 kW Ex d IIB T4 (for Ta +40 °C) or T3 (for Ta+55 °C)</b>					
CF2D	IIB	For 0.37kW to 4 kW (9 Amp, 400/415 Vac max.) contactor and thermal overload relay not supplied (LC1D09 and LRD – from Schneider Electric ①)	4.0	14	<b>DMB000D</b>
CF2D	IIB	For 5.5kW to 11 kW (25 Amp, 400/415 Vac max.) contactor and thermal overload relay not supplied (LC1D25 and LRD – from Schneider Electric ①)	4.0	14	<b>DMB001D</b>
<b>Enclosure Fitted and Prewired with Contactor and Thermal Overload Relay</b>					
CF2D	IIB	For 5.5 kW 400/415 Vac Motor Coil 230 Vac Fitted with contactor LC1-D25 P7 and thermal overload relay LRD-16	4.5	14	<b>DMB055D4P</b>
<b>Enclosure for Housing Contactor with Overload Relay up to 11 kW Ex d IIC T4 (for Ta +40 °C) or T3 (for Ta +55 °C)</b>					
CF1B	IIC	For 0.37kW to 4 kW (9 Amp, 400/415 Vac max.) contactor and thermal overload relay not supplied (LC1D09 and LRD – from Schneider Electric ①)	4.0	14	<b>DMC000D</b>
CF1B	IIC	For 5.5kW to 11 kW (25 Amp, 400/415 Vac max.) contactor and thermal overload relay not supplied (LC1D25 and LRD – from Schneider Electric ①)	4.0	14	<b>DMC001D</b>
<b>Enclosure Fitted and Prewired with Contactor and Thermal Overload Relay</b>					
CF1B	IIC	For 5.5 kW 400/415 Vac Motor Coil 230 Vac Fitted with contactor LC1-D25 P7 and thermal overload relay LRD-16	4.5	14	<b>DMC055D4P</b>

① Schneider Electric is a registered trademark Schneider Electric SA.

# DM Series Motor Starter Dimensions

## Flameproof

Zone 1 and 2 – 21 and 22  
Gas (G) and Dust (D)

Dimensions in Millimeters

