

D Series Pre-Drilled Control Stations

Flameproof

Zone 1 and 2 – 21 and 22
Gas (G) and Dust (D)

Applications

- Local control stations for use in hazardous areas.
- Control of equipment at power plants, chemical and petrochemical plants, petroleum refineries, pulp and paper processing plants and various industrial applications.

Features

- 1 and 2 Function Ex d IIC:
 - For TS35 rail mounted contact block.
 - Actuators and contact blocks to be ordered separately.
 - Up to 3 contacts per function.
 - Threaded flameproof joint.
 - Internal earth terminal 2 x 4 mm².
 - External ground terminal: M5.
 - 1 x M20 or M25 threaded entry at bottom.
 - Cable glands and plugs to be ordered separately.
- 2 to 6 Function Ex d IIB:
 - For TS35 rail mounted contact block.
 - Actuators and contact blocks to be ordered separately.
 - Up to 3 contacts per function.
 - Flanged flameproof joint.
 - Yellow laminated plastic legend plate with black lettering.
 - Internal earth terminal: 2 x 4 mm².
 - External earth terminal: M6 screw and M8 earth stud (CF2B type).
 - 2 x M20 threaded entries at the bottom.
 - Cable glands and plugs to be ordered separately.

Standard Materials

- Box: gray painted marine grade aluminum alloy
- CF2B box: gray painted cast iron for CF2B

Certifications and Compliances

◆ ATEX Certification

• Certification Type BR1d

- Gas, Zones 1 and 2
 - Conforming to ATEX 94/9/CE: Ⓢ II 2 G
 - Type of Protection: Ex d IIC
 - Temperature class: T6 for Ta = +40 °C , T5 for Ta = +55 °C
- Dust, Zones 21 and 22
 - Conforming to ATEX 94/9/CE: Ⓢ II2 D
 - Type of Protection: Ex tD A21
 - Surface Temperature: T95 °C
- Ambient Temperature: -40 °C to +55 °C
- Impact Resistance (shock): IK10
- CE Declaration of Conformity: 20530
- ATEX Certificate: LCIE 02 ATEX 6056
- Index of Protection according EN/IEC 60529: IP66

• Certification Type CF2D

- Gas, Zones 1 and 2
 - Conforming to ATEX 94/9/CE: Ⓢ II 2 G
 - Type of Protection: Ex d IIB
 - Temperature class: T6 for Ta = +40 °C , T5 for Ta = +55 °C
- Dust, Zones 21 and 22
 - Conforming to ATEX 94/9/CE: Ⓢ II2 D
 - Type of Protection: Ex tD A21
 - Surface Temperature: T95 °C
- Ambient Temperature: -40 °C to +55 °C
- Impact Resistance (shock): IK10
- CE Declaration of Conformity: 50254
- ATEX Certificate: LCIE 03 ATEX 6061X
- Index of Protection according EN/IEC 60529: IP66

1 Function



2 Function



2 Function



3 Function



6 Function



• Certification Type BR2d

- Gas, Zones 1 and 2
 - Conforming to ATEX 94/9/CE: Ⓢ II 2 G
 - Type of Protection: Ex d IIC
 - Temperature class: T6
- Dust, Zones 21 and 22
 - Conforming to ATEX 94/9/CE: Ⓢ II2 D
 - Type of Protection: Ex tD A21
 - Surface Temperature: T80 °C
- Ambient Temperature: -40 °C to +55 °C
- Impact Resistance (shock): IK09
- CE Declaration of Conformity: 50256
- ATEX Certificate: LCIE 03 ATEX 6062
- Index of Protection according EN/IEC 60529: IP66

• Certification Type CF2B

- Gas, Zones 1 and 2
 - Conforming to ATEX 94/9/CE: Ⓢ II 2 G
 - Type of Protection: Ex d IIC
 - Temperature class: T6 for Ta ≤ +40 °C , T5 for +40 °C < Ta ≤ +55 °C
 - Dust, Zones 21 and 22
 - Conforming to ATEX 94/9/CE: Ⓢ II2 D
 - Type of Protection: Ex tD A21
 - Surface Temperature: T95 °C
 - Ambient Temperature: -40 °C to +55 °C
 - Impact Resistance (shock): IK10
 - CE Declaration of Conformity: 50254
 - ATEX Certificate: LCIE 03 ATEX 6061X
 - Index of Protection according EN/IEC 60529: IP66
- Internal Volume: ≤2 dm³ (2 liters)

◆ EURASEC Certification

- EURASEC RU C-FR. ГБ 05.B.00911

◆ Others Certification ①










- INMETRO: BR 230482-Be1D

① Inmetro certification available on special request only. Contact your local sales for more information.

D Series Pre-Drilled Control Stations

Flameproof

Zone 1 and 2 – 21 and 22
Gas (G) and Dust (D)

For TS35 Rail Mounted Actuators						
	Type	Description/Function	Bottom Entries	Weight kg	Volume dm ³	Catalog Number
1 Function Ex d IIC Control Stations:						
	BR1d	For push button, pilot light or selector switch	1 x M20	0.9	2	DA1W1E101
	BR1d	For push button, pilot light or selector switch	1 x M25	0.9	2	DA1W3E101
2 Function Ex d IIC Pre-drilled Box:						
	BR1d	For push button (non-mushroom type) 2 contacts maximum for each function	1 x M20	0.9	2	DA1W1E201
	BR1d	For push button (non-mushroom type) 2 contacts maximum for each function	1 x M25	0.9	2	DA1W3E201
2 Function Ex d IIB Pre-drilled Box:						
	CF2D	For push button, pilot light or selector switch	2 x M20	2.3	7	DA4W2E202
3 Function Ex d IIB Pre-drilled Box:						
	CF2D	For push button, pilot light or selector switch (2 switches maximum)	2 x M20	3	7	DA5W2E301
	CF2D	For push button, pilot light and ammeter 48 x 48 mm (ammeter with round barrel)	2 x M20	3	7	DA5W2E302
4 Function Ex d IIB Pre-drilled Box:						
	CF2D	For push button, pilot light and ammeter 48 x 48 mm (ammeter with round barrel)	2 x M20	3	7	DA5W2E401
6 Function Ex d IIB Pre-drilled Box:						
	CF2D	For push button and pilot light 2 Contacts maximum for each function	2 x M20	3	7	DA5W2E601
	CF2B	For push button, pilot light or selector switch (3 switches maximum)	2 x M20	13	13	DA3W2E601
1 Meter Ex d IIC Pre-drilled Box:						
	BR2d	For indicator 72 x 72 mm or 96 x 96 mm with round barrel Mounting plate for indicator diameter. 67 mm	2 x M20	4	11	DA2W2E102

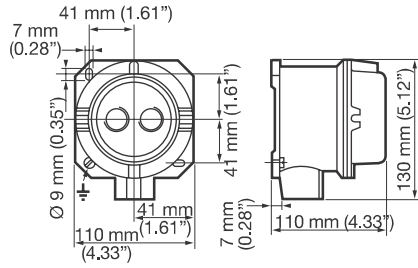
D Series Pre-Drilled Control Stations

Flameproof

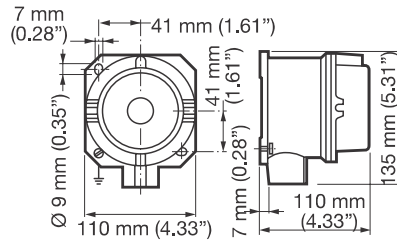
Zone 1 and 2 – 21 and 22
Gas (G) and Dust (D)

Dimensions in Millimeters for TS35 Rail Mounted Operators

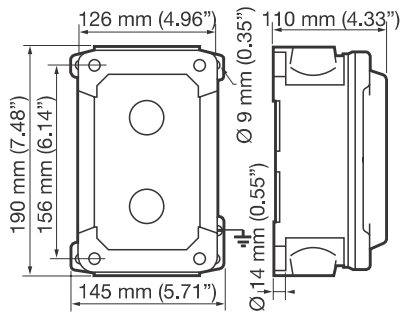
BR1d (1 Function)



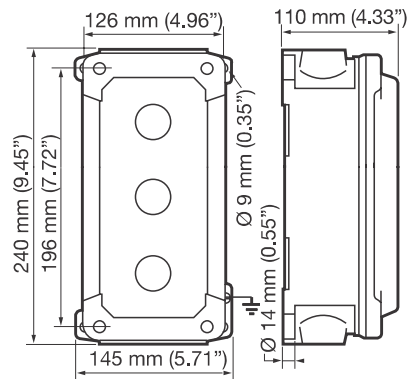
BR1d (2 Functions)



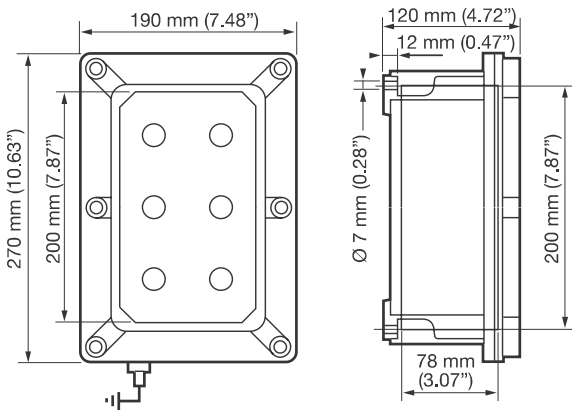
CF2D (2 Functions)



CF2D (3-4-6 Functions)



CF2B (6 Functions)



BR2d

