

CBD Series Circuit Breakers

Flameproof

Zone 1 and 2 - 21 and 22
Gas (G) and Dust (D)

Applications

- Circuit breakers are used in areas where hazardous materials are handled or stored.
- These units provide thermal-magnetic protection and residual current devices.

Features

- Supplied with front rotary control switch handle.
- Padlockable in stop position — 3 x dia. 5 mm.
- RCBOs supplied with test push button.
- Yellow laminated plastic legend plate with black lettering.
- Internal earth terminal 2 x 4 mm².
- External ground terminal: M5 for Ex d IIB version.
- Earth crossing terminal M8 for Ex d IIC version.
- 1 x M20 entry on top.
- 2 x M20 entries at bottom with one blanking plug.
- Cable glands to be ordered separately.

Standard Materials

- Gray painted marine grade aluminum alloy housing (RAL7038).
- Stainless steel cover bolts.

Certifications and Compliances

◆ ATEX Certification

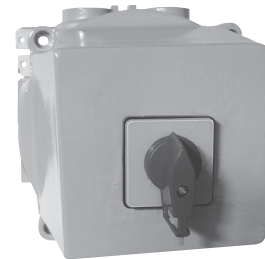
- **Certification Type: CF2D**
 - Gas: Zone 1 and 2
 - Conforming to ATEX 94/9/CE: Ⓢ II 2 G
 - Type of Protection: Ex d IIB
 - Temperature class: T3
 - Dust: Zone 21 and 22
 - Conforming to ATEX 94/9/CE: Ⓢ II 2 D
 - Type of Protection: Ex td A21
 - Surface Temperature: T195 °C
 - Ambient Temperature:
 - 5 °C / -20°C / -25°C to +55 °C (according components)
 - CE Declaration of Conformity: 50254
 - ATEX Certificate: LCIE 02 ATEX 6061X
 - Index of Protection according EN/IEC 60529: IP66
 - Impact Resistance (shock): IK10
- **Certification Type: CF1C**
 - Gas: Zone 1 and 2
 - Conforming to ATEX 94/9/CE: Ⓢ II 2 G
 - Type of Protection: Ex d IIC
 - Temperature class: T5
 - Dust: Zone 21 and 22
 - Conforming to ATEX 94/9/CE: Ⓢ II 2 D
 - Type of Protection: Ex td A21
 - Surface Temperature: T95 °C
 - Ambient Temperature:
 - 5 °C / -20°C / -25°C to +55 °C (according components)
 - CE Declaration of Conformity: 50257
 - ATEX Certificate: LCIE 03 ATEX 6044X
 - Index of Protection according EN/IEC 60529: IP66
 - Impact Resistance (shock): IK10

◆ EURASEC Certification

- EURASEC N° TC RU C-FR.1505.B.00910



Ex d IIB Version



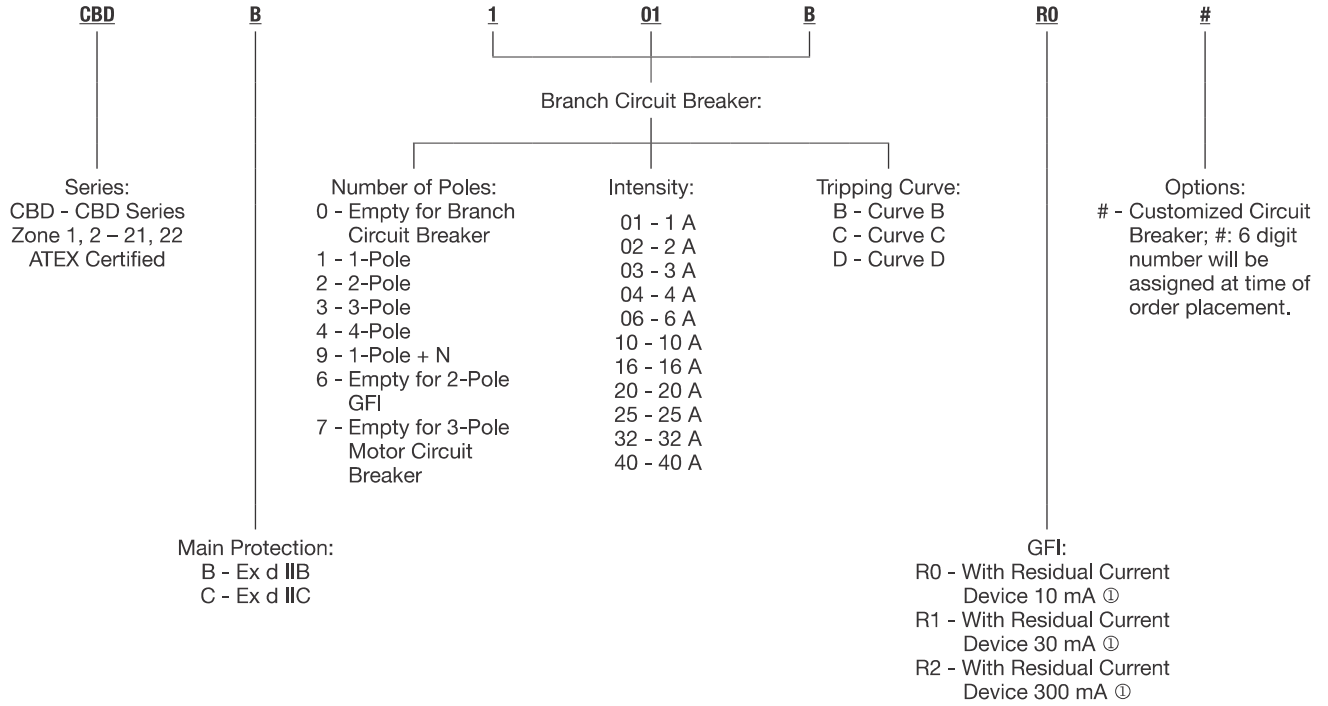
Ex d IIC Version

CBD Series Circuit Breakers

Flameproof

Zone 1 and 2 - 21 and 22
Gas (G) and Dust (D)

Catalog Numbering Guide



① For Branch Circuit Breaker 2-Poles maximum.

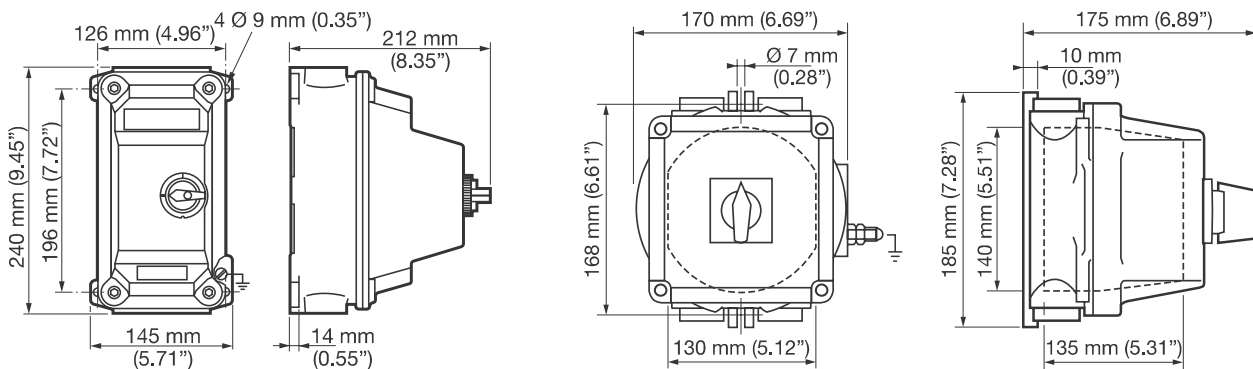
CBD Series Circuit Breakers

Flameproof

Zone 1 and 2 - 21 and 22
Gas (G) and Dust (D)

Type	Description	Weight kg	Volume dm ³	Catalog Number
Enclosure for Housing Branch Circuit Breaker up to 40 A — Ex d IIB T3				
CF2D	40 A maximum For 2-pole, 3-pole and 4-pole Branch Circuit Breaker (S200 from ABB) not supplied Ambient Temperature: -25 °C to +55 °C	4	14	CBDB0
CF2D	25 A maximum For 2-pole + GFI Branch Circuit Breaker (iC60 + VIGI iC60 from Schneider Electric) not supplied Ambient Temperature: -25 °C / -5 °C to +55 °C	4	14	CBDB6
CF2D	32 A maximum For 3-pole Motor Circuit Breaker (GV2-P or GV2-L from Schneider Electric) not supplied Ambient Temperature: -20 °C to +55 °C	4	14	CBDB7
Enclosure for Housing Branch Circuit Breaker up to 32 A — Ex d IIC T5				
CF1C	25 A maximum For 2-pole, 3-pole and 4-pole Branch Circuit Breaker (S200 from ABB) not supplied Ambient Temperature: -25 °C to +55 °C	4	14	CBDC0
CF1C	25 A maximum For 2-pole + GFI Branch Circuit Breaker (iC60 + VIGI iC60 from Schneider Electric) not supplied Ambient Temperature: -25 °C / -5 °C to +55 °C	4	14	CBDC6
CF1C	32 A maximum For 3-pole Motor Circuit Breaker (GV2-P or GV2-L from Schneider Electric) not supplied Ambient Temperature: -20 °C to +55 °C	4	14	CBDC7

Dimensions in Millimeters



Ex d IIB Version

Ex d IIC Version