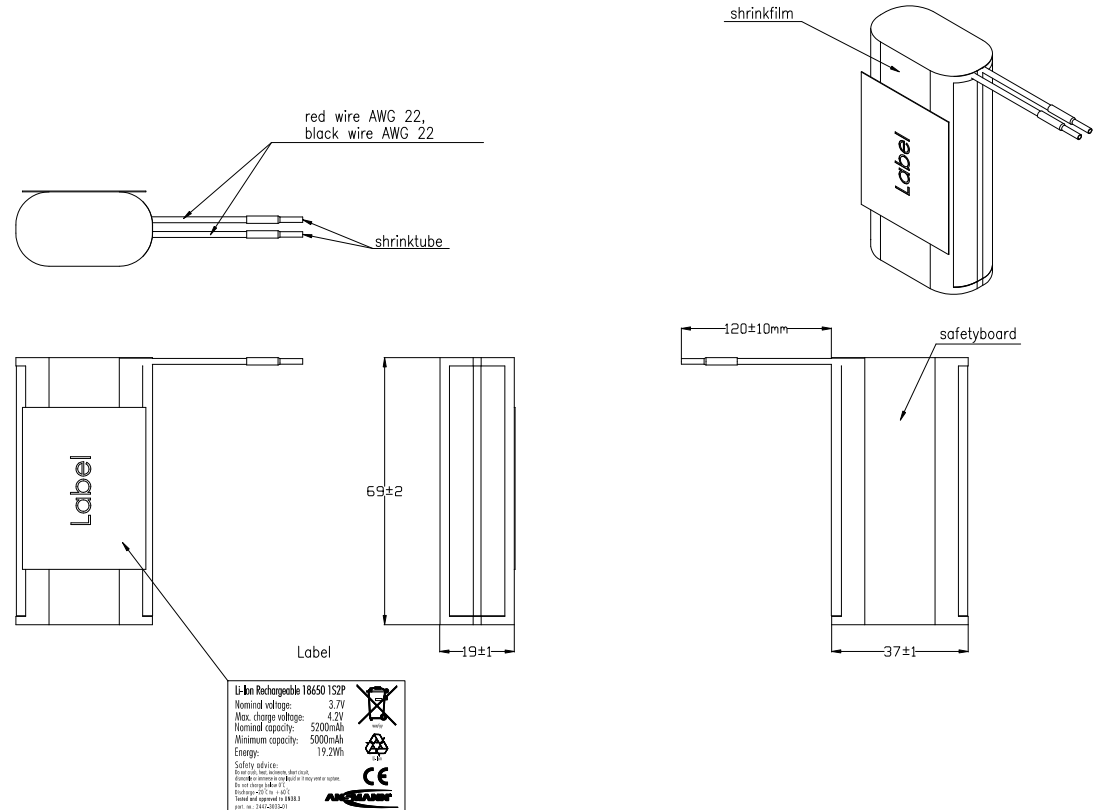


The supplier acknowledges that, with the acceptance of the drawing, he is liable to manufacture the described part in accordance with the drawing. In particular, the manufacturer is responsible for the correct interpretation of the drawing. Any deviations from the drawing must be reported to the purchaser.

This drawing may be used, modified or made available to third parties in any way without written or prior written approval.

Technische Daten/ technical data	:	Akkupack/ batterypack
Chemie/ chemistry	:	Li-Ion
Zellenzahl/ no. of cells	:	2 Zellen/ cells 18650 1S2P LG B4
Kapazität/ capacity	:	nom. 5200mAh discharge at 0.2C min. 5000mAh discharge at 0.2C
		ta:20°C; EV(Discharge End Voltage): 2.75V per cell
Innenwiderstand/ impedance	:	< 80mOhm (battery and safetyboard)
Nominalspannung/ nominal voltage	:	3.7V
Standard Ladespannung/ standard charge voltage	:	4.2V±1%
Standard Entladespannung/ standard discharge voltage	:	2.75V
Nominale Ladestrom/ nominal charge current	:	0.5C
Maximaler Ladestrom/ maximum charge current	:	3000mA (limited by safetyboard)
Ladeendstrom/ charge end current	:	0.01C recommended
Maximaler Entladestrom/ maximum discharge current	:	3000mA (limited by safetyboard)
Anwendungstemperaturbereich/ ambient temperature range	:	0°C...+45°C charge -20°C...+60°C discharge -20°C...+30°C storage max. 1 year -20°C...+45°C storage max. 3months
Selbstentladung/ self discharge	:	≤ 5% / month at20°C ≤ 10% / month at30°C ≤ 20% / month at40°C
Standards/	:	UN 3480, Subsection 38.3 All cells and batterypacks type tested according to UN manual of test and criteria subsection 38.3

Technische Daten/ technical data	:	Sicherheitschaltung/ safety board
Überladeschutzspannung/ over charge voltage detection	:	4.25V±25mV per cell
Wiedereinschaltspannung/ over charge release voltage	:	4.05V±50mV per cell
Entladeabschaltspannung/ over discharge detection voltage	:	2.5V±62mV per cell
Wiedereinschaltspannung/ over discharge release voltage	:	2.85V±250mV per cell
Nominale Lade/Entladestrom/ nominal operating current	:	3A
Entlade Abschaltstrom/ discharge cut off current	:	8.5A± 2A
Kurzschlusschutz/ short circuit protection	:	gegen äußeren Kurzschluss/ against external short circuit
Temperaturschalter/ temperature switch	:	---
MOSFET	:	in Masse in Gnd
Rückstellkriterium/ release condition	:	Last trennen, Aktiv nach Anladen/ cut load, release after charging up
Nettogewicht/ net weight	:	ca./ approx. 100g
Leiterplattenmaterial/ pcb material	:	FR4
Standards	:	CE



Li-Ion Rechargeble 18650 1S2P
 Nominal voltage: 3.7V
 Max. charge voltage: 4.2V
 Nominal capacity: 5200mAh
 Minimum capacity: 5000mAh
 Energy: 19.2Wh
 Safety advice:
 Do not use, use, remove, short-circuit,
 dispose or incinerate in fire or in water.
 Do not charge with 0.2C
 Discharge < 2.5V, > 4.2V
 Serial and part number: 18650 1S2P
 (part no.: 186501S2P)

Verwendungsbereich/Application range für Anfrage/for inquiry AN-IS-2013-00425	Zul. Abweichung/ Allowable deviation	Oberfläche/ Surface	Maßstab/Scale (DIN A2): 1:1	Gewicht/Weight
	Allgemeintoleranz DIN ISO 2768-m		Werkstoff/Work material, Modell-Nr.	
	2013 Datum/Date	Name	Zeichnungsname/Drawing name	
	Zeichner/ Drawn by	23.10.	Li-Ion Battery 3.7V 5200mAh with safetyboard	
			Zeichnungsnummer/Drawing number	
			Artikelnummer/Part number	
			2447-3033-01	
			Blatt/ Sheet	
			1	
Version	Änderung/Change	Datum/Date	Ursprung/Origin Proj. IS-2013-00425	Ersatz für/Replaced by
A	---	XX.XX.XX JE		Ersatz durch/Replacement through

