

Control Stations & Switches: Switches, Circuit Breakers and "Break Glass" Call Points
 SWD Series: 16 and 32 A Switches – Flameproof



16 A Version



32 A Version

CONTROL STATIONS & SWITCHES

Compliance Data:

ATEX - IEC:



Zone 1 & 2, 21 & 22	ATEX	II 2 GD	IEC	CE
Ex d IIC	T6 or T5	Ex tD A21	T95°C	IP66 – IK10

Electrical Data:

Voltage	Amperage	
Up to 690 V	Up to 32 A	

Operating Temperature:

-40°C to + 55°C

Control Stations & Switches: Switches, Circuit Breakers and "Break Glass" Call Points

SWD Series: 16 and 32 A Switches – Flameproof

Zone 1 & 2 - 21 & 22

Ex II 2 GD

ATEX / IEC

IP66 - IK10

Applications:

- Designed to prevent operation in explosive atmospheres during connect and disconnect operation of lighting and light power loads.
- For use in hazardous areas where ignitable vapors, gases or highly combustible dusts are present.
- For installation in chemical and petrochemical plants, refineries and other process industries.

- Internal earth:
2 x 4 mm² terminals
- External earth:
M5 for 16 Amps
M6 for 32 Amps

Features:

- Two threaded entries (one top and one bottom) M20 or M25.
- Switch mechanism fixed at the bottom of the box.
- Padlockable handle.
- Termination:
16A 4 mm² terminals
32A 6 mm² terminals

Standard Material of Fixtures:

- Gray painted marine grade aluminum alloy box.
- A2 stainless steel captive screws.

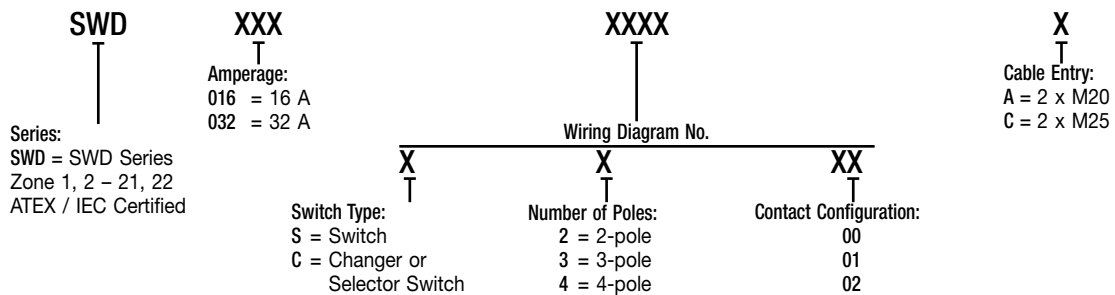


16 A Version



32 A Version

Catalog Number Logic:



Ordering Information:

16 A Switch

Switch Type	Wiring Diagram No.	Entries	Weight (kg)	Volume (dm ³)	Catalog Number	Old Catalog Number
1-pole changeover	C100	2 x M20 2 x M25	1.1	3.8	SWD016C100A SWD016C100C	- -
2-pole switch	S200	2 x M20 2 x M25	1.1	3.8	SWD016S200A SWD016S200C	093529 093526
3-pole switch	S300	2 x M20 2 x M25	1.1	3.8	SWD016S300A SWD016S300C	093530 093527
4-pole switch	S400	2 x M20 2 x M25	1.1	3.8	SWD016S400A SWD016S400C	093531 093528

32 A Switch

Switch Type	Wiring Diagram No.	Entries	Weight (kg)	Volume (dm ³)	Catalog Number	Old Catalog Number
2-pole switch	S200	2 x M20 2 x M25	2.7	8	SWD032S200A SWD032S200C	- 093544
3-pole switch	S300	2 x M20 2 x M25	2.7	8	SWD032S300A SWD032S300C	- 093545
4-pole switch	S400	2 x M20 2 x M25	2.7	8	SWD032S400A SWD032S400C	- 093546

Switching Arrangement:

C100 Positions	Contacts	
	1-2	3-4
0	X	
1		X

S200 Positions	Contacts	
	1-2	3-4
0		
1	X	X

S300 Positions	Contacts		
	1-2	3-4	5-6
0			
1	X	X	X

S400 Positions	Contacts			
	1-2	3-4	5-6	7-8
0				
1	X	X	X	X

X Contact closed

Control Stations & Switches: Switches, Circuit Breakers and "Break Glass" Call Points

SWD Series: 16 and 32 A Switches – Flameproof

Zone 1 & 2 - 21 & 22

⊕ II 2 GD

ATEX / IEC

IP66 - IK10

Technical Data:

Main Contacts		16 Amps	32 Amps
Rated insulation voltage (Ui)		690 V	690 V
Thermal rating		20 A	40 A
AC 21 A		16 A	32 A
AC 15		6 A	12 A
AC 23 A	3 x 230 V	4 KW	11 KW
	3 x 400 V	7.5 KW	11 KW
	3 x 500 V	5.5 KW	11 KW
	3 x 690 V	4 KW	11 KW
AC 3 A	3 x 230 V	3 KW	5.5 KW
	3 x 400 V	4 KW	11 KW
	3 x 500 V	5.5 KW	11 KW
	3 x 690 V	3 KW	11 KW
Termination (flexible/solid)		2.5 mm ² /4 mm ²	6 mm ²

Standards:

Ex Standards	EN / IEC 60079-0; 60079-1
Product Standards	EN / IEC 60947-1; 60947-3
EMC Standards	–
Other Standards	EN / IEC 60529 (IP); 62262 (IK)

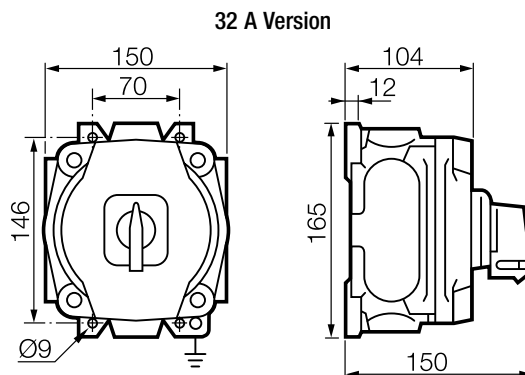
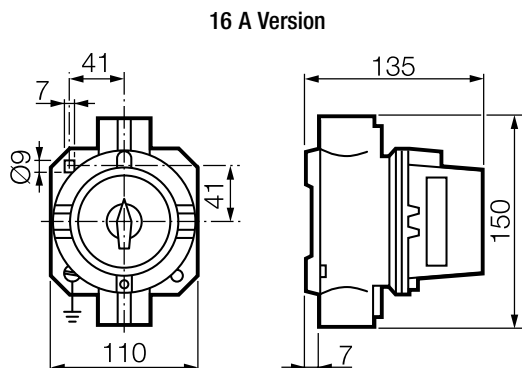
Compliances: 16 A version:

Hazardous Area	Gas	Dust
Certification Type	BR1d (16A)	
Zones	1–2	21–22
Conforming to ATEX 94/9/CE	CE 0081⊕II 2 G	CE 0081⊕II 2 D
Symbol of Protection ATEX	Ex d IIC	Ex tD A21
Symbol of Protection IEC		
T Rating	T6 for Ta = +40°C T5 for Ta = +55°C	–
Surface Temperature	–	T95°C
Ambient Temperature	-40°C to +55°C	
CE Declaration of Conformity	50230	
ATEX Certificate	LCIE 02 ATEX 6056	
IEC Certificate	LCIE Ex 02.005	
Other Certifications	GOST	
Ingress Protection (solid and liquid)	IP66	
Impact Resistance (shock)	IK10	

Compliances: 32 A version:

Hazardous Area	Gas	Dust
Certification Type	CF1E (32A)	
Zones	1–2	21–22
Conforming to ATEX 94/9/CE	CE 0081⊕II 2 G	CE 0081⊕II 2 D
Symbol of Protection ATEX	Ex d IIC	Ex tD A21
Symbol of Protection IEC		
T Rating	T6 for Ta ≤ +40°C T5 for +40°C < Ta ≤ +55°C	–
Surface Temperature	–	T95°C
Ambient Temperature	-40°C to +55°C	
CE Declaration of Conformity	50257	
ATEX Certificate	LCIE 03 ATEX 6044X	
IEC Certificate	LCIE Ex 03.003X	
Other Certifications	GOST	
Ingress Protection (solid and liquid)	IP66	
Impact Resistance (shock)	IK10	

Dimensions (mm):



Control Stations & Switches: Switches, Circuit Breakers and "Break Glass" Call Points
 SWD Series: 20, 32, 63, 100, 125, 160 and 250 A Isolator Switches – Flameproof



63 A Version

Compliance Data:

ATEX - IEC:



Zone 1 & 2, 21 & 22	ATEX	II 2 GD	IEC	CE
Ex d IIB	T6 to T5	Ex tD A21	T80°C to T95°C	IP66 - IK10

Electrical Data:

Voltage	Amperage			
Up to 690 V	Up to 250 A			

Operating Temperature:

-40°C to + 55°C				
-----------------	--	--	--	--

Control Stations & Switches: Switches, Circuit Breakers and "Break Glass" Call Points

SWD Series: 20, 32, 63, 100, 125, 160 and 250 A Isolator Switches – Flameproof

Zone 1 & 2 - 21 & 22

II 2 GD

ATEX / IEC

IP66 - IK10

Applications:

- Designed to prevent operation in explosive atmospheres during connect and disconnect operation of power loads.
- For use in hazardous areas where ignitable vapors, gases or highly combustible dusts are present.
- For installation in chemical and petrochemical plants, refineries and other process industries.

Features:

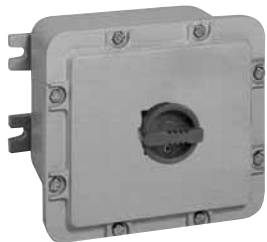
- Padlockable handle in position "O".
- 3 or 4-pole switch mechanism.
- "NO-NC" early break auxiliary contact.
- Main contact termination: Up to 185 mm².
- Auxiliary contact termination: 2.5 mm².
- Cable entries:
Threaded entries two at bottom and one at top – M20 to M63
- Supplied with:
1 x M20 blanking plug
1 x M8 earth stud

Standard Material of Fixtures:

- Gray painted marine grade aluminum alloy box.
- A2 stainless steel captive screws.

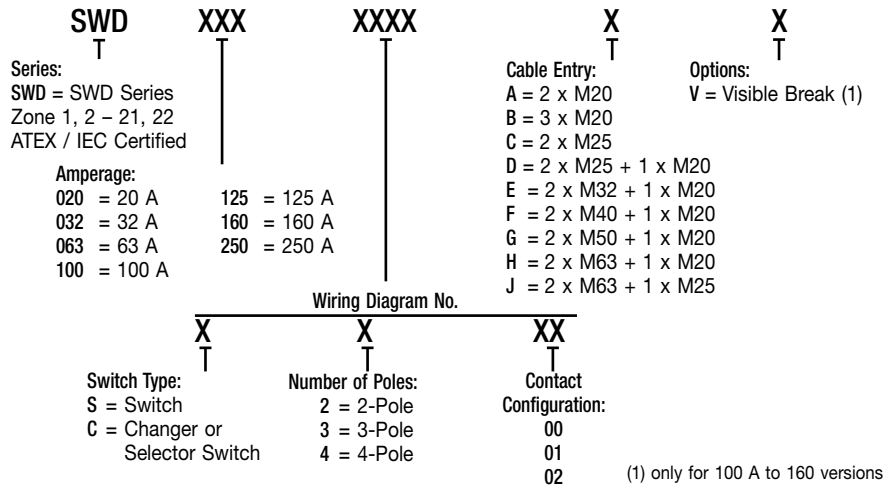
Options:

- Visible break assembly including a window to view power connection (only for 100 A to 160 A versions).



63 A Version

Catalog Number Logic:



Ordering Information:

SWD Flameproof Isolator Switches

Switch Type	Wiring Diagram No.	Certified Type	Weight (kg)	Volume (dm ³)	Catalog Number	Old Catalog Number
20 A – 3 x M20 threaded entries (1 Top and 2 Bottom)						
3-pole switch	S300	CF2D	3.8	11	SWD020S300B	093508
4-pole switch	S400	CF2D	3.8	11	SWD020S400B	093509
32 A – Bottom entries: 1 x M25 + 1 x M20 – Top entries: 1 x M25						
3-pole switch	S300	CF2D	3.8	11	SWD032S300D	093510
4-pole switch	S400	CF10B	11	19.6	SWD032S400D	093511
63 A – Bottom entries: 1 x M32 + 1 x M20 – Top entries: 1 x M32						
3-pole switch	S300	CF10B	11	19.6	SWD063S300E	093548
4-pole switch	S400	CF10B	11	19.6	SWD063S400E	093512
100 A – Bottom entries: 1 x M40 + 1 x M20 – Top entries: 1 x M40						
3-pole switch	S300	CF20B	13	24.5	SWD100S300F	093513
4-pole switch	S400	CF20B	13	24.5	SWD100S400F	093514
125 A – Bottom entries: 1 x M50 + 1 x M20 – Top entries: 1 x M50						
3-pole switch	S300	CF20B	13	24.5	SWD125S300G	093515
4-pole switch	S400	CF20B	13	24.5	SWD125S400G	093516
160 A – Bottom entries: 1 x M50 + 1 x M20 – Top entries: 1 x M50						
3-pole switch	S300	CF40B	50.5	235.2	SWD160S300G	093517
4-pole switch	S400	CF40B	50.5	235.2	SWD160S400G	093518
250 A – Bottom entries: 1 x M63 + 1 x M20 – Top entries: 1 x M63						
3-pole switch	S300	CF60B	112	646.6	SWD250S300H	093519
4-pole switch	S400	CF60B	112	646.6	SWD250S400H	093520

Switching Arrangement:

Positions	S300 Contacts		
	1-2	3-4	5-6
0			
1	X	X	X

Positions	S400 Contacts			
	1-2	3-4	5-6	7-8
0				
1	X	X	X	X

Control Stations & Switches: Switches, Circuit Breakers and "Break Glass" Call Points

SWD Series: 20, 32, 63, 100, 125, 160 and 250 A Isolator Switches – Flameproof

Zone 1 & 2 - 21 & 22

Ex II 2 GD

ATEX / IEC

IP66 - IK10

Technical Data:

Main Contacts	25 Amps	32 Amps	63 Amps	100 Amps	125 Amps	160 Amps	250 Amps
Rated Insulation Voltage (Ui)	800 V	800 V	800 V	800 V	800 V	800 V	800 V
Rated Operating Voltage (Ue)	415 V / 500 V / 690 V	415 V / 500 V / 690 V	415 V / 500 V / 690 V	415 V / 500 V / 690 V	415 V / 500 V / 690 V	415 V / 500 V / 690 V	415 V / 500 V / 690 V
Rated Operating Current (Ie)	25 A	32 A / 32 A / 25 A	63 A / 63 A / 40 A	100 A	125 A	160 A / 160 A / 125 A	250 A / 250 A / 200 A
Rated Surge Voltage (Uimp)	8 kV	8 kV	8 kV	8 kV	8 kV	8 kV	8 kV
Short Circuit Resistance	50 kA (with fuse)	50 kA (with fuse)	50 kA (with fuse)	100 kA (with fuse)	63 kA (with fuse)	80 kA (with fuse)	50 kA (with fuse)
Switching Capacity							
AC 21 A	415 V 500 V 690 V	25 A 25 A 25 A	32 A 32 A 32 A	63 A 63 A 63 A	100 A 100 A 100 A	125 A 125 A 125 A	160 A 160 A 200 A
AC 22 A	415 V 500 V 690 V	25 A 25 A 25 A	32 A 32 A 32 A	63 A 63 A 63 A	100 A 100 A 63 A	125 A 125 A 80 A	160 A 125 A 100 A
AC 23 A	230 V 415 V 500 V 690 V	25 A 25 A 25 A 25 A	- 32 A 25 A 25 A	- 63 A 63 A 40 A	- 100 A 80 A 63 A	- 125 A 100 A 80 A	- 125 A 100 A 80 A
AC 23 A Motor Power (kW)	230 V 415 V 500 V 690 V	- 11 kW 11 kW 15 kW	- 15 kW 15 kW 18.5 kW	- 30 kW 30 kW 30 kW	- 45 kW 45 kW 45 kW	- 55 kW 55 kW 75 kW	- 75 kW 75 kW 75 kW
DC 21	- - -	24/48 V - 25 A (1) - -	- - -	- - -	- 800 V - 125 A (1) -	- 800 V - 125 A (1) -	220 V - 250 A (1) 440 V - 200 A (1) 500 V - 200 A (1)
DC 22	- - -	- - -	- - -	- - -	- - -	- - -	220 V - 250 A (1) 440 V - 200 A (1) 500 V - 200 A (1)
DC 23	- - -	- - -	- - -	- - -	- - -	- - -	220 V - 250 A (1) 440 V - 200 A (1) 500 V - 200 A (1)
Termination (Flexible / Solid)	0.75 to 6 mm ² / 10 mm ²	16 mm ² / 16 mm ²	4 to 35 mm ² / 50 mm ²	4 to 50 mm ² / 70 mm ²	4 to 50 mm ² / 70 mm ²	4 to 50 mm ² / 70 mm ²	95 mm ² / 150 mm ²
Auxiliary Contacts							
Rated Operating Voltage (Ue)	230 V / 400 V	250 V	250 V	250 V	250 V	250 V	230 V / 400 V
Rated Operating Current (Ie)	6 A / 4 A	5 A	5 A	5 A	5 A	5 A	4 A / 3 A
Switching Capacity							
AC 15	6 A / 230 V	5 A / 250 V	5 A / 250 V	5 A / 250 V	5 A / 250 V	5 A / 250 V	4 A / 230 V - 3 A / 400 V
DC 14	-	-	-	-	-	-	1 A / 24 V - 0.2 A / 48 V
Termination (Flexible)	2.5 mm ²	2.5 mm ²	2.5 mm ²	2.5 mm ²	2.5 mm ²	2.5 mm ²	2.5 mm ²

(1) Two contacts connected in series.

Compliances:

Hazardous Area	Gas	Dust
Certification Type	CF2D	
Zones	1-2	21-22
Conforming to ATEX 94/9/CE	CE 0081Ex II 2 G	CE 0081Ex II 2 D
Symbol of Protection ATEX	Ex d IIB	Ex tD A21
Symbol of Protection IEC		
T Rating	T6 for Ta ≤ +40°C T5 for +40°C < Ta ≤ +55°C	-
Surface Temperature	-	T95°C
Ambient Temperature	-40°C to +55°C	
CE Declaration of Conformity	50254	
ATEX Certificate	LCIE 03 ATEX 6061X	
IEC Certificate	LCIE Ex 03.006X	
Other Certifications	GOST	
Ingress Protection (solid and liquid)	IP66	
Impact Resistance (shock)	IK10	
Internal Volume	≤ 2dm ³	

Compliances:

Hazardous Area	Gas	Dust
Certification Type	CF	
Zones	1-2	21-22
Conforming to ATEX 94/9/CE	CE 0081Ex II 2 G	CE 0081Ex II 2 D
Symbol of Protection ATEX	Ex d IIB	Ex tD A21
Symbol of Protection IEC		
T Rating	T6	-
Surface Temperature	-	T80°C
Ambient Temperature	-40°C to +55°C	
CE Declaration of Conformity	50229	
ATEX Certificate	LCIE 02 ATEX 6057X	
IECEx Certificate	IECEx LCI 08.0023X	
Other Certifications	GOST	
Ingress Protection (solid and liquid)	IP66	
Impact Resistance (shock)	IK10	
Internal Volume	> 2dm ³	

*CF10B Ambient T° -20°C to +55°C

Standards:

Ex standards	EN / IEC 60079-0; 60079-1
Product standards	EN / IEC 60947-1; 60947-3
EMC standards	/
Other standards	EN / IEC 60529(IP); 62262(IK)

Visit our website at www.egsatx.com or www.appletonelec.com or contact us at +33.3.22.54.27.54. © September 2009

ATX Product Catalog

362

Control Stations & Switches: Switches, Circuit Breakers and "Break Glass" Call Points

SWD Series: 20, 32, 63, 100, 125, 160 and 250 A Isolator Switches – Flameproof

Zone 1 & 2 - 21 & 22

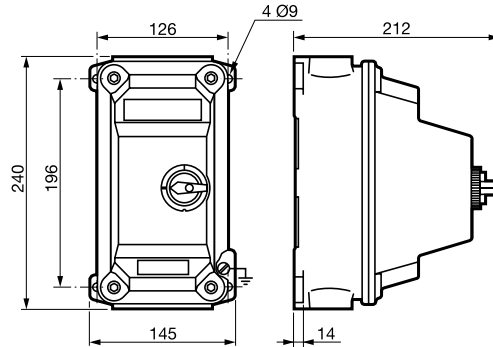
⊕ II 2 GD

ATEX / IEC

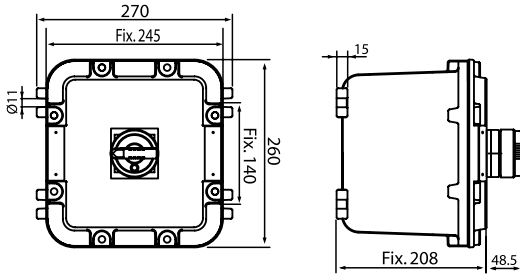
IP66 - IK10

Dimensions (mm):

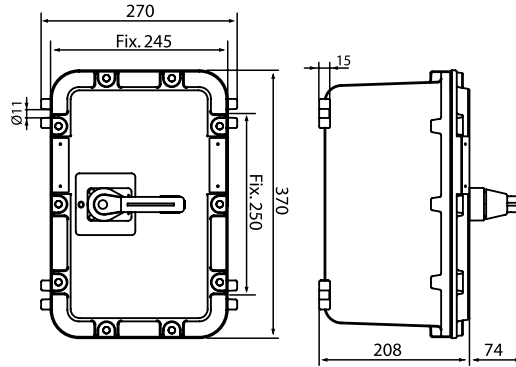
CF2D



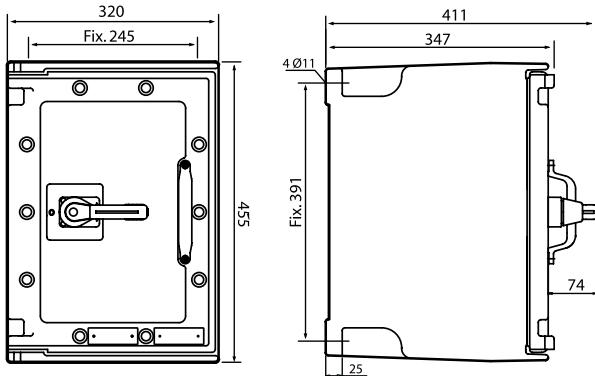
CF10B



CF20B



CF40B



CF60B

