

VCB series Video Camera Housings

Flameproof

Zone 1 and 2 - 21 and 22
Gas (G) and Dust (D)

Applications

- Flameproof housing to encase video camera used for onshore and offshore site and process supervision.

Features

- Compatible with any camera model with the following specifications:
 - Length compatible with one of the two sizes:
 - 475 mm
 - 735 mm
 - Maximum cross section for the camera : < 127 cm².
 - Capacitor's residual energy (after opening) : < 20 μJ.
 - Maximum dissipated power: 14 W.
 - Equipped with back plate.
 - Two M20 threaded cable entries.

Standard Materials

- Body: gray painted aluminium
- Window: sealed toughened glass

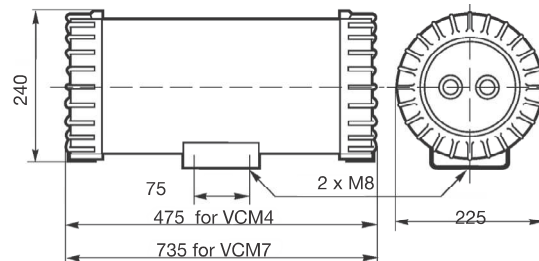
ATEX Certifications and Compliances

- **Certification Type: CAM**
 - Gas: Zones 1 and 2
 - Conforming to ATEX 94/9/CE: Ⓜ II 2 G
 - Type of Protection: Ex d IIC
 - Temperature class: T6 for Ta ≤ +40 °C and T5 for +55 °C
 - Dust: Zones 21 and 22
 - Conforming to ATEX 94/9/CE: Ⓜ II 2 D
 - Type of Protection: Ex tD A21
 - Surface Temperature: T100 °C
 - Ambient Temperature: -40 °C to +55 °C
 - Index of Protection according EN/IEC 60529: IP66
 - Impact Resistance (shock): IK10
 - Internal Volume: ≤ 2 dm³ – 2 liters
 - CE Declaration of Conformity: 50255
 - ATEX Certificate: LCIE 03 ATEX 6080



VCB4
(475 mm length version)

Dimensions in Millimeters



Length (mm)	Weight kg	Volume dm ³	Catalog Number
475	14.2	41	VCB4
735	18.7	61	VCB7

VCB series Video Camera Housings

Flameproof

Zone 1 and 2 - 21 and 22
Gas (G) and Dust (D)

Applications

- Flameproof housing to encase video camera used for onshore and offshore site and process supervision.

Features

- Maximum dissipated power: 10 W.
- Equipped with a back plate.
- One open view glass window, usable \varnothing 84 mm.
- Two internal grounding connection: M4 screw. External grounding: M6 screw.
- Two M20 threaded entries at the bottom.



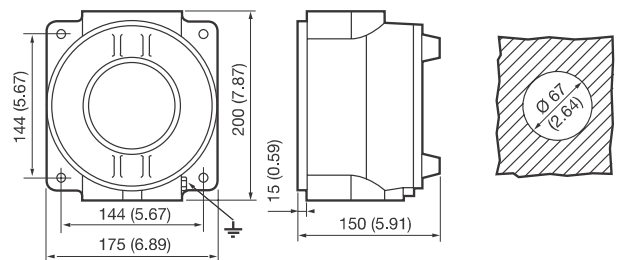
Standard Materials

- Body: gray painted aluminium
- Window: sealed toughened glass

ATEX Certifications and Compliances


- **Certification Type: BR2d**
 - Gas: Zones 1 and 2
 - Conforming to ATEX 94/9/CE: Ex II 2 G
 - Type of Protection: Ex d IIC
 - Temperature Class: T6
 - Dust: Zone 21 and 22
 - Conforming to ATEX 94/9/CE: Ex II 2 D
 - Type of Protection: Ex tD A21
 - Surface Temperature: T80 °C
 - Ambient Temperature: -40 °C to +55 °C
 - Index of Protection according EN/IEC 60529: IP66
 - Impact Resistance (shock): IK09
 - Internal Volume: $\leq 2 \text{ dm}^3$ – 2 liters
 - CE Declaration of Conformity: 50256
 - ATEX Certificate: LCIE 03 ATEX 6062

Dimensions in Millimeters (Inches)



Weight kg	Volume dm ³	Catalog Number
3.5	13	DA2W2E102

Accessories

Description	Catalog Number
 Adjustable Mount	VCBHBA

VCB series Video Camera Housings

Flameproof

Zone 1 and 2 - 21 and 22
Gas (G) and Dust (D)

Applications

- Flameproof housing to encase video camera used for onshore and offshore site and process supervision.

Features

- Maximum Power: 10 W.
- One open view glass window, usable diameter 155 mm.
- Threaded flameproof joint.
- Two M20 threaded entries with one blanking plug.

Standard Materials

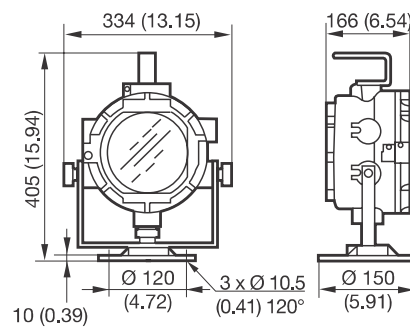
- Body: gray painted aluminium
- Window: sealed toughened glass

ATEX Certifications and Compliances

- **Certification Type: PJ70**
 - Gas: Zones 1 and 2
 - Conforming to ATEX 94/9/CE: Ex II 2 G
 - Type of Protection: Ex d IIC
 - Temperature Class: T6
 - Dust: Zone 21 and 22
 - Conforming to ATEX 94/9/CE: Ex II 2 D
 - Type of Protection: Ex tD A21
 - Surface Temperature: T80 °C
- Ambient Temperature: -40 °C to +55 °C
- Index of Protection according EN/IEC 60529: IP66
- Impact Resistance (shock): IK10
- Internal Volume: $\leq 2 \text{ dm}^3$ — 2 liters
- CE Declaration of Conformity: 50239
- ATEX Certificate: LCIE 02 ATEX 6227



Dimensions in Millimeters (Inches)



Weight kg	Volume dm ³	Catalog Number
8	27	VCBA