

# UPR Series 32 Amps Plugs and Switched Sockets

## Increased Safety

Zone 1 and 2 - 21 and 22  
Gas (G) and Dust (D)

### Applications

- Plugs and receptacles are used with portable or stationery electrical equipment such as:
  - Lighting systems
  - Conveyors
  - Heaters
  - Motor generators
  - Air conditioning equipment
  - Compressors
  - Pumps
- For use in corrosive atmospheres and installations in Zone 1 and 2 and 21 and 22 of the oil and gas industry; such as:
  - Refineries
  - Chemical and petrochemical plants
  - Pipelines
  - Loading docks
  - Onshore and offshore drilling platforms

### Features

- Plug and socket system is designed with a mechanical interlock to insure disengagement cannot occur while energized.
- Large ON/OFF actuator on the receptacle gives clear, visible indication of the receptacle status for maximum hazardous location protection.
- LV receptacle can be locked in 0 (Off) and 1 (On) positions.
- Different voltages are color coded for easy identification.
- The receptacles are keyed to accept UPR plugs of the proper voltage.
- Receptacle explosion proof switch.
- UPR plugs can be used in non-hazardous IEC 60309-2 sockets.
- Operating temperature of -20 °C to +55 °C.

### Standard Materials

- Wall Socket: Polyamide
- Plug: Polyamide

### Certifications and Compliances

#### ◆ ATEX/IECEX Certification

- **Certification Type UPR**
  - Gas: Zones 1 and 2
    - Conforming to ATEX 94/9/CE: Ⓜ II 2 G
    - Type of Protection: Ex db eb IIB
    - Temperature class: T6 for Ta ≤ +40 °C and T5 for +55 °C
  - Dust: Zones 21 and 22
    - Conforming to ATEX 94/9/CE: Ⓜ II 2 D
    - Type of Protection: Ex tb IIB
    - Surface Temperature: T79 °C (Ta +40 °C); T94 °C (Ta +55 °C)
  - Ambient Temperature: -20 °C ≤ Ta ≤ +55 °C
  - Index of Protection according EN/IEC 60529: IP66
  - Impact Resistance (shock): IK09
  - CE Declaration of Conformity: 50311
  - ATEX Certificate: LCIE 15 ATEX 3054X
  - IECEX Certificate: IECEX LCIE 15.0044X



### Technical Data

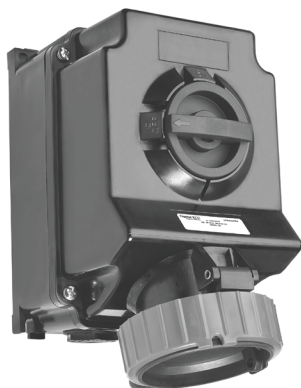
Breaking Capacity		
AC3	32 Amp	690 Vac
AC22	32 Amp	690 Vac

Short Circuit Withstand (ICC) : 10kA

# UPR Series 32 Amps Plugs and Switched Sockets

## Increased Safety

Zone 1 and 2 - 21 and 22  
Gas (G) and Dust (D)



**Wall Mounting Socket**

- Two M32 threaded entries on the bottom or top upon request.
- Supplied with one M32 cable gland – Ø 10 to Ø 25 mm and two M32 blanking plugs.
- Terminal capacity 2 x 6 to 10 mm<sup>2</sup>. Can be through-wired up to 6mm<sup>2</sup>.
- Fitted with two linked earth terminals.



**Plug**

- One integrated cable clamp – Ø 14.1 to Ø 29.1 mm for 3P+N+E versions.
- Terminal capacity 6 to 10 mm<sup>2</sup>.

### LV - Low Voltage

Yellow	Blue	Red	Black
100/130 Vac	200/250 Vac	380/415 Vac	480/500 Vac
			600/690 Vac

# UPR Series 32 Amps Plugs and Switched Sockets

## Increased Safety

Zone 1 and 2 - 21 and 22  
Gas (G) and Dust (D)

Description	Pin Configuration	Weight kg	Volume dm <sup>3</sup>	Color	Catalog Number
<b>100/130 Vac 50/60 Hz - Yellow</b>					
Wall Socket		1.71	11.3	Yellow	UPR332RY4
Plug		0.46	2.4	Yellow	UPR332PY4
<b>200/250 Vac 50/60 Hz - Blue</b>					
Wall Socket		1.71	11.3	Blue	UPR332RB6
Plug		0.46	2.4	Blue	UPR332PB6
Wall Socket		1.85	11.3	Blue	UPR432RB9
Plug		0.49	2.4	Blue	UPR432PB9
Wall Socket		1.91	11.3	Blue	UPR532RB9
Plug		0.54	2.4	Blue	UPR532PB9
<i>(1) 120/208 V - 144/250 Vac 50/60 Hz</i>					
<b>380/415 Vac 50/60 Hz - Red</b>					
Wall Socket		1.85	11.3	Red	UPR432RR6
Plug		0.49	2.4	Red	UPR432PR6
Wall Socket		1.91	11.3	Red	UPR532RR6
Plug		0.54	2.4	Red	UPR532PR6
<i>(2) 200/346 V - 240/415 Vac 50/60 Hz</i>					
<b>480/500 Vac 50/60 Hz - Black</b>					
Wall Socket		1.85	11.3	Black	UPR432RN7
Plug		0.49	2.1	Black	UPR432PN7
Wall Socket		1.91	11.3	Black	UPR532RN7
Plug		0.54	2.4	Black	UPR532PN7
<b>600/690 Vac 50/60 Hz -Black</b>					
Wall Socket		1.85	11.3	Black	UPR432RN5
Plug		0.49	2.4	Black	UPR432PN5

# UPR Series 32 Amps Plugs and Switched Sockets

## Increased Safety

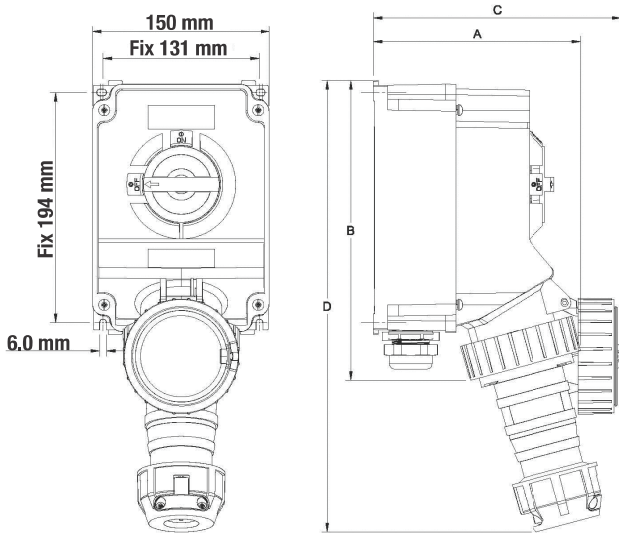
Zone 1 and 2 - 21 and 22  
Gas (G) and Dust (D)

Plugs and Receptacles  
INCREASED SAFETY EX E

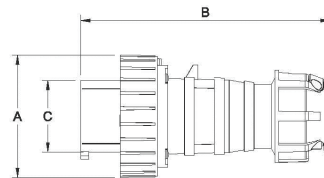
### Dimensions

#### 32A – 2P+E – 3P+E – 3P+N+E Versions

#### Wall Mounting Sockets



#### Plugs



	Dimensions in Millimeters			
	A	B	C	D
2 P + E	175	250	210	380
3 P + E	175	250	210	380
3 P + N + E	177	250	210	380

	Dimensions in Millimeters		
	A	B	C
2 P + E	98	200	57
3 P + E	98	200	57
3 P + N + E	102	200	63