

PRE Series 63 Amp Plugs and Sockets

Increased Safety

Zone 1 and 2 - 21 and 22
Gas (G) and Dust (D)

Applications

- Plugs and sockets are used with stationary or portable electrically operated devices such as:
 - Welding devices
 - Lighting systems
 - Conveyors
 - Heaters
 - Motor generator sets
 - Air conditionings
 - Compressors
 - Pumps
- For use in corrosive atmospheres and installations in Zones 1, and 2 and 21 and 22 of oil and gas industry, such as
 - Refineries
 - Chemical and petrochemical plants
 - Pipelines
 - Onshore and offshore drilling platforms
 - LNG Trains
 - Gas Compressor Stations

Features

- Positive polarization: only ATX plugs of same style, number of poles and ampere rating may be used with these sockets.
- Interlocked 3-pole or 4-pole Ex de disconnecting on-load switch, with auxiliary early break contact (capacity 2.5 mm² max).
- Plug is mechanically locked in socket when switch is ON.
- Switch operating handle can be padlocked in OFF position (max 4 padlocks).
- Plug cannot be inserted or removed unless switch is in OFF position.

Standard Materials

- Socket: high impact resistance fiberglass reinforced polyester.
- Flap cover and plug: polyamide

Certifications and Compliances

◆ ATEX/IECEx Certification

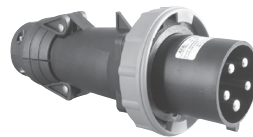
- **Certification Type PC63X**
 - Gas: Zones 1 and 2
 - Conforming to ATEX 94/9/CE: Ⓢ II 2 G
 - Type of Protection: Ex de IIC
 - Temperature class: T6 for Ta ≤ +40 °C and T5 for +55 °C
 - Dust: Zones 21 and 22
 - Conforming to ATEX 94/9/CE: Ⓢ II 2 D
 - Type of Protection: Ex tD A21
 - Surface Temperature: T90 °C
 - Ambient Temperature: -30 °C to +55 °C
 - Index of Protection according EN/IEC 60529: IP66
 - Impact Resistance (shock): IK10
 - CE Declaration of Conformity: 50208
 - ATEX Certificate: LCIE 99 ATEX 6004
 - IECEx Certificate: IECEx LCIE 13.0010

◆ EURASEC Certification

- EURASEC N° TC RU C-FR.r505.B.00910

◆ Others Certification

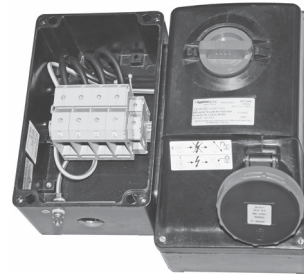
- Inmetro Certificate: BVC11.0595 ①



Plug



Wall Mounting Socket



Wall Mounting Socket Through-Wired

① Inmetro certification available on special request only. Contact your local sales for more information

PRE Series 63 Amp Plugs and Sockets

Increased Safety

Zone 1 and 2 - 21 and 22
Gas (G) and Dust (D)



Wall Mounting Socket

- Standard versions:
 - Supplied with one M50 cable gland for unarmored cable – Ø 28 to Ø 42 mm and one M25 blanking plug.
 - Terminal capacity 1 x 25 mm².
- Through-wired versions:
 - Supplied with two M50 cable glands for unarmored cable – Ø 28 to Ø 42 mm and one M25 blanking plug.
 - Terminal capacity 2 x 25 mm².



Plug

- One integrated cable entry for unarmored flexible cable – Ø 17.5 to Ø 29 mm for 3P + E versions; Ø 17.5 to Ø 32 mm for 3P + N + E versions.
- Terminals capacity 16 mm².

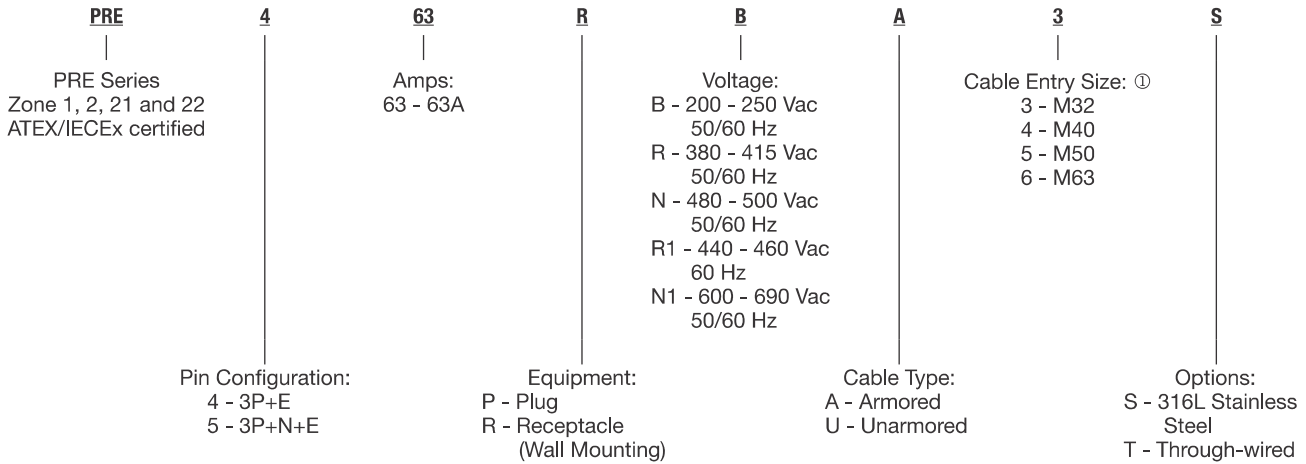
63 Amps		
Main Contacts		
Rated Insulation Voltage	690 Vac	
Rated Operating Voltage	690 Vac	
Rated Operating Current	63 Amp	
Rated Surge Voltage	6 KV	
Switching Capacity		
AC 21 A / AC 22 A	63 Amp	230 Volt to 690 Volt
	15 kW	230 Volt
AC 23 A	22 kW	400 Volt
	30 kW	500 Volt
	18.5 kW	690 Volt
	11 kW	230 Volt
AC 3	18.5 kW	400 Volt
	22 kW	500 Volt
	15 kW	690 Volt
DC 21		–
DC 22		–
DC 23		–
Auxiliary Contacts		
Rated Insulation Voltage	400 Volt	
Rated Operating Voltage	400 Volt	
Rated Operating Current	10 Amp	
Switching Capacity: AC 15	6 Amp	230 Volt
	4 Amp	400 Volt
Others		
Termination (flexible/solid)	25 mm ²	

PRE Series 63 Amp Plugs and Sockets

Increased Safety

Zone 1 and 2 - 21 and 22
Gas (G) and Dust (D)

Catalog Numbering Guide — Plugs and Receptacles



LV: Low Voltage

Blue (B)	Red (R)	Black (N)	Red (R1)	Black (N1)
200/250 Vac	380/415 Vac	480/500 Vac	440/460 Vac	600/690 Vac

① With one M25 plugged entry.

PRE Series 63 Amp Plugs and Sockets

Increased Safety

Zone 1 and 2 - 21 and 22
Gas (G) and Dust (D)

Standard Versions

Description	Pin Configuration	Weight kg	Volume dm ³	Catalog Number
200/250 Vac 50/60 Hz — Blue				
Wall Socket		8.0	26.0	PRE463RBU5
Plug		1.0	7.0	PRE463PB
380/415 Vac 50/60 Hz — Red				
Wall Socket		8.0	26.0	PRE463RRU5
Plug		1.0	7.0	PRE463PR
Wall Socket		8.0	26.0	PRE563RRU5
Plug		1.0	7.0	PRE563PR
<i>(1) 200/346 V – 240/415 Vac 50/60 Hz</i>				
440/460 Vac 60 Hz — Red				
Wall Socket		8.0	26.0	PRE463RR1U5
Plug		1.0	7.0	PRE463PR1
Wall Socket		8.0	26.0	PRE563RR1U5
Plug		1.0	7.0	PRE563PR1
<i>(2) 250/440 V – 265/460 Vac 60 Hz</i>				
480/500 Vac 50/60 Hz — Black				
Wall Socket		8.0	26.0	PRE463RNU5
Plug		1.0	7.0	PRE463PN
Wall Socket		8.0	26.0	PRE563RNU5
Plug		1.0	7.0	PRE563PN
<i>(3) 277/480 V – 288/500 Vac 50/60 Hz</i>				
600/690 Vac 50/60 Hz — Black				
Wall Socket		8.0	26.0	PRE463RN1U5
Plug		1.0	7.0	PRE463PN1
Wall Socket		8.0	26.0	PRE563RN1U5
Plug		1.0	7.0	PRE563PN1
<i>(4) 347/600 V – 400/690 Vac 50/60 Hz</i>				

Shaded catalog numbers are normally stocked items. All other items are made to order.

PRE Series 63 Amp Plugs and Sockets

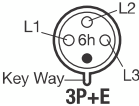

Increased Safety

Zone 1 and 2 - 21 and 22
Gas (G) and Dust (D)

Plugs and Receptacles

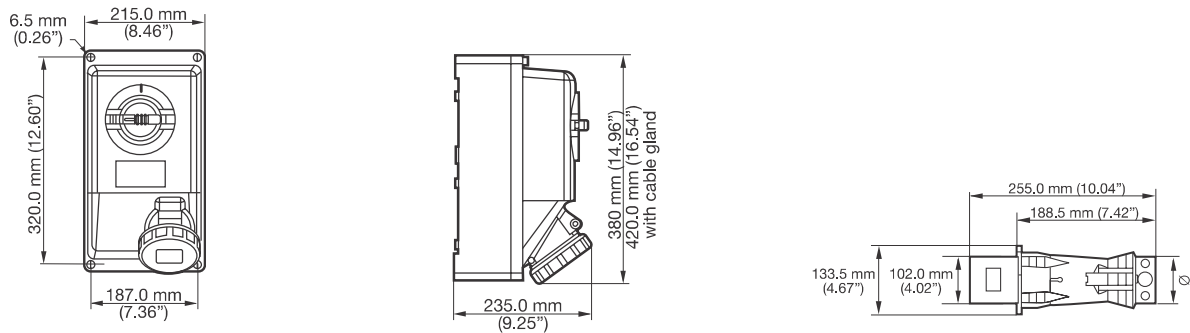
INCREASED SAFETY EX E

Through-wired Versions

Description	Pin Configuration	Weight kg	Volume dm ³	Catalog Number
380/415 Vac 50/60 Hz — Red				
Wall Socket	 3P+E	16.0	110.0	PRE463RRU5T
Wall Socket	 3P+N+E (1)	16.0	110.0	PRE563RRU5T
<i>(1) 200/346 V – 240/415 Vac 50/60 Hz</i>				

Dimensions

Standard Version



Through-Wired Version

