

SWE Series 16 and 20 Amp Switches

Increased Safety

Zone 1 and 2 – 21 and 22
Gas (G) and Dust (D)

Applications

- Designed to prevent operation in explosive atmospheres during connect and disconnect operation of lighting and light power loads.
- For use in hazardous areas where ignitable vapors, gases or highly combustible dusts are present.
- For installation in chemical and petrochemical plants, refineries and other process industries.

Features

- Available up to 690 Volts, and up to 20 Amps
- 16 Amp version:
 - Two bottom M20 clearance holes.
 - Switch mechanism fixed at the bottom of the box.
 - Termination:
 - Type 1: 2.5 mm²
 - Type 2: 2.5 mm² flexible, 4 mm² solid
 - Internal earth:
 - 2 x 2.5 mm² terminals
 - Supplied with:
 - 1 x white self-adhesive laminated plastic label with black lettering – 58 mm x 18 mm
- 20 Amp version:
 - Two M20 threaded entries on the bottom of the box.
 - Switch mechanism fixed on the bottom of the box.
 - Padlockable handle in position 0 using maximum 4 padlocks
 - maximum handle diameter 8 mm and minimum 15 mm length.
 - Termination:
 - 2.5 mm² flexible/4 mm² solid
 - Internal earth:
 - 2 x 4 mm² terminals
 - Supplied with:
 - 1 x yellow self-adhesive laminated plastic label with black lettering – 65 mm x 18 mm

Standard Materials

- 16 Amp version:
 - Polyamide box.
 - A2 stainless steel coarse pitch screws (1 and a half turn).
 - Polyamide cable glands.
 - Nickel plated brass locknuts.
- 20 Amp version:
 - Polyester box
 - A2 stainless steel captive screws.
 - Polyamide cable glands.

Certifications and Compliances

◆ATEX Certification

- **Certification Type PCe**
 - Gas: Zone 1 and 2
 - Conforming to ATEX 94/9/CE: Ⓢ II 2 G
 - Type of Protection: Ex de IIC
 - Temperature class: T6
 - Dust: Zone 21 and 22
 - Conforming to ATEX 94/9/CE: Ⓢ II 2 D
 - Type of Protection: Ex tD A21
 - Surface Temperature: T80 °C
 - Ambient Temperature: -20 °C to +40 °C
 - CE Declaration of Conformity: 50221
 - ATEX Certificate: LCIE 00 ATEX 60472
 - Index of Protection according EN/IEC 60529: IP66

① Inmetro certification available on special request only. Contact your local sales for more information.



16 A Version – Type 1



16 A Version – Type 2



20 A Version

◆EURASEC Certification

- **Certification Type PCe**
 - EURASEC RU C-FR. ГБ 05.B.00911

◆Others Certification ①

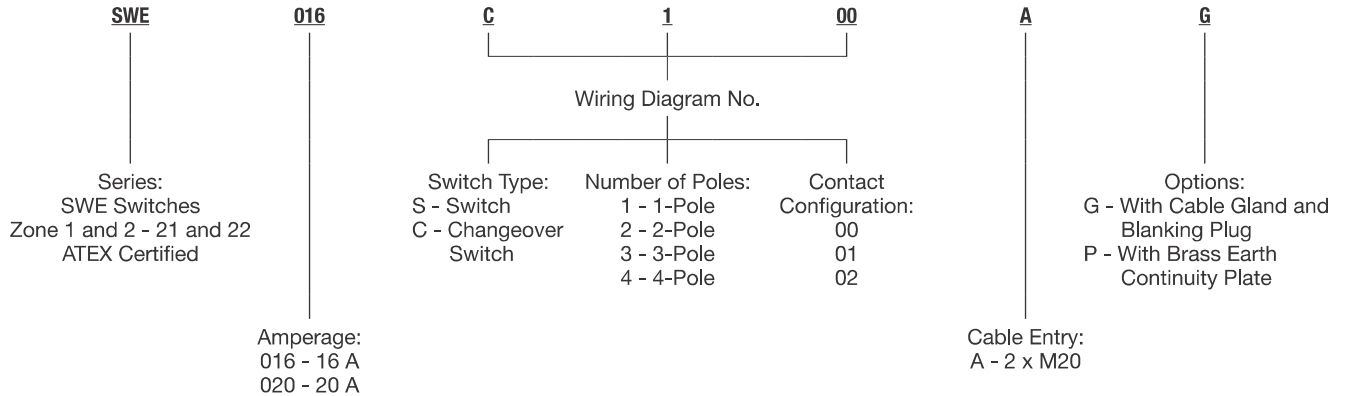
- **Certification Type PCe**
 - INMETRO Certificate: BVC 11.0640-X

SWE Series 16 and 20 Amp Switches

Increased Safety

Zone 1 and 2 – 21 and 22
Gas (G) and Dust (D)

Catalog Numbering Guide



Switch Type	Wiring Diagram No.	Type	Weight kg	Volume dm ³	Catalog Number
16 Amp Switch – Type 1 – Padlockable handle – Two M20 polyamide cable glands (cable dia. 6.5 to 14.5 mm) on the bottom					
Changeover switch	C101	1	0.53	2	SWE016C101AG
2-pole	S201	1	0.53	2	SWE016S201AG
16 Amp Twist Button - Type 2 – Non-padlockable handle – Two M20 clearance holes on the bottom					
Changeover switch	C100	2	0.50	2	SWE016C100A
2-pole	S200	2	0.50	2	SWE016S200A
20 Amp Switch – Padlockable handle – Two M20 polyamide cable glands (cable dia. 6.5 to 14.5 mm) on the bottom					
Changeover switch	C100	–	1	2	SWE020C100AG
2-pole	S202	–	1	2	SWE020S202AG
3-pole	S301	–	1	2	SWE020S301AG
4-pole	S401	–	1	2	SWE020S401AG

Shaded catalog numbers are normally stocked items. All other items are made to order

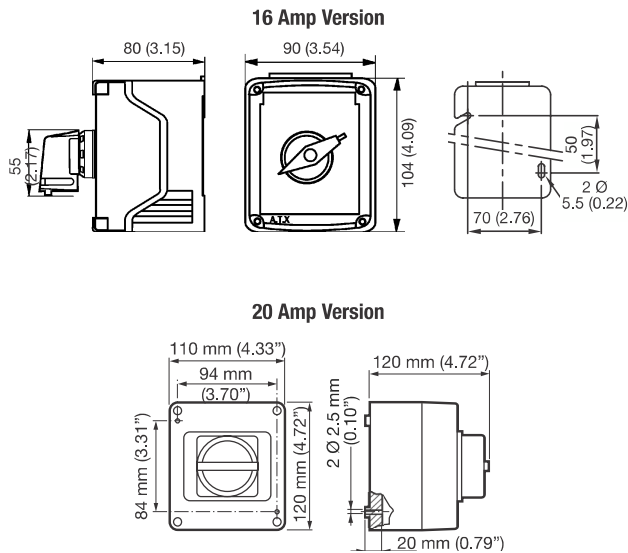
SWE Series 16 and 20 Amp Switches

Increased Safety

Zone 1 and 2 – 21 and 22
Gas (G) and Dust (D)

Main Contacts	16 Amps Type 1	16 Amps Type 2	20 Amps
Rated Insulation Voltage	750 V	500 V	500 V
Rated Operating Voltage	690 Vac/110 Vdc	500 V	500 V
Rated Operating Current	16 Amp	16 Amp	20 Amp
Switching Capacity			
AC 1	16 Amp, 690 V	16 Amp, 500 V	—
AC 12	—	16 Amp, 400 V	—
AC 14	—	10 Amp, 400 V	—
AC 15	16 Amp, 415 V	6 Amp, 500 V	—
AC 21	—	—	16 Amp, 500 V
AC 23	—	—	16 Amp, 400 V
AC 3	08 Amp, 500 V	—	—
AC 3	04 Amp, 690 V	—	—
DC 1	10 Amp, 24 V	—	—
DC 1	06 Amp, 60 V	—	—
DC 1	06 Amp, 110 V ①	—	—
DC 13	—	1 Amp, 110 V	—
DC 13	—	2 Amp, 24 V	—
Termination (flexible/solid)	2.5 mm ² /4 mm ²	2.5 mm ²	2.5 mm ² /4 mm ²

Dimensions in Millimeters



Switching Arrangement X Denotes "Closed Contact"

16 Amp Switch

C101

Positions	Contacts	
	11–12	23–24
0	X	
1		X

S201

Positions	Contacts	
	13–14	23–24
0		
1	X	X

16 Amp Twist Button

C100

Positions	Contacts	
	1–2	3–4
0	X	
1		X

S200

Positions	Contacts	
	3–4	3–4
0		
1	X	X

20 Amp Switch

C100

Positions	Contacts	
	1–2	3–4
0	X	
1		X

S202

Positions	Contacts	
	1–2	3–4
0		
1	X	X

S301

Positions	Contacts		
	1–2	3–4	5–6
0			
1	X	X	X

S401

Positions	Contacts			
	1–2	3–4	5–6	7–8
0				
1	X	X	X	X

① 2 contacts connected in series.