

PJ Series Portable Floodlights

Flameproof. Halogen

Zone 1 and 2 - 21 and 22
Gas (G) and Dust (D)

Applications

- Typical applications include aircraft manufacturing and maintenance facilities, refineries, chemical and petrochemical plants and where the permanent mounting of a fixture is not practical.

Features

- 55-70 W H3 halogen lamp.
- PK22S lamp holder.
- Connection via two terminals 1 x 2.5 mm².
- Internal earth connection 1 x 2.5 mm².
- External earth connection 1 x 4 mm².
- One M20 threaded rear entry.
- Operates in any position.
- Installed on cradle to allow horizontal and vertical adjustment.
- Lamp supplied

Standard Materials

- Body and bezel: gray painted aluminum alloy
- Lamp glass: sealed toughened glass
- Carrying handle: plastic covering

Certifications and Compliances

◆ ATEX Certification

- **Certification Type: PJ70**
 - Gas: Zones 1 - 2
 - Conforming to ATEX 94/9/CE: Ⓜ II 2 G
 - Type of Protection: Ex d IIC
 - Temperature Class: T3 to T4 See Table
 - Dust: Zone 21 - 22
 - Conforming to ATEX 94/9/CE: Ⓜ II 2 D
 - Type of Protection: Ex tD A21
 - Surface Temperature: T120 °C to T142 °C See Table



- Ambient Temperature: -40 °C to +55 °C
- CE Declaration of Conformity: 50239
- ATEX Certificate: LCIE 02 ATEX 6227
- Index of Protection according EN/IEC 60529: IP66
- Impact Resistance (shock): IK10
- Internal Volume: < 2 dm³ - 2 liters

T Rating (Gas) and Surface Temperature (Dust) Table

Lamp Type and Wattage	Position	Gas Temperature Rating			Dust Surface Temp at Ta = +55 °C
		Ta = +40 °C	Ta = +50 °C	Ta = +55 °C	
55 and 70 Watt Halogen		T4	T3	T3	+142 °C
		T4	T4	T3	+135 °C
		T4	T4	T4	+120 °C

PJ Series Portable Floodlights

Flameproof. Halogen

Zone 1 and 2 - 21 and 22
Gas (G) and Dust (D)

Catalog Number Logic

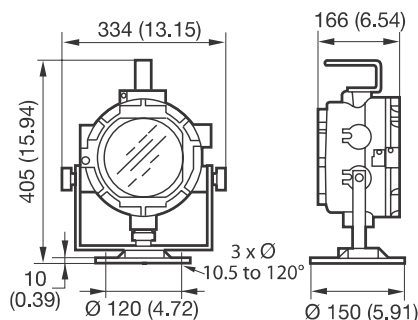
PJ
Series:
PJ - PJ Series
Zone 1 and 2 - 21 and 22
ATEX Certified

55
Lamp Type:
55 - 55 Watt Halogen
70 - 70 Watt Halogen

01B
Supply Voltage:
01B - 12 Vac/Vdc
02B - 24 Vac/Vdc
11A - 110 Vac, 50/60 Hz
23A - 230 Vac, 50/60 Hz

Lamp Type, Wattage and Voltage (Lamp supplied)	Weight kg	Volume dm ³	Catalog Number
55 W Halogen 12 Vac/Vdc	8	27	PJ5501B
70 W Halogen 24 Vac/Vdc	8	27	PJ7002B
70 W Halogen 110 V, 50/60 Hz ①	8	27	PJ7011A
70 W Halogen 230 V, 50/60 Hz ②	8	27	PJ7023A

Dimensions in Millimeters (Inches)



① With transformer 110/24 V (+6% -10%)

② With transformer 230/24 V (+6% -10%)

Shaded catalog numbers are normally stocked items. All other items are made to order.